



Copenhagen LED Small

BRS443 GRN20-3S/740 II O-DW CLO-DDF6

Little Copenhagen LED side entry - 3rd generation, screw fixation - LED GreenLine 2000 lm - 740 neutral white - Safety class II (II) - Distribution wide - Constant light output and DynaDimmer fixed presets version 6

Copenhagen LED was co-designed together with Copenhagen's Office of City Architecture in order to enhance the aesthetic appeal of the city's lighting. The luminaire's timeless design comes in two sizes – mini and large – to ensure that the dimensions of the luminaire and pole are well balanced, and that the installation blends in harmoniously with its surroundings. A variety of suspensions are available, offering maximum freedom in the overall design of the installation. A choice of symmetrical or asymmetrical distributions and state-of-the-art LED technology complete the specification of an extremely adaptable luminaire.

Product data

General Information		Driver included	Yes
Number of light sources	1 [1 pc]	Optical cover/lens type	FG [Flat glass]
Lamp family code	GRN20 [LED GreenLine 2000 lm]	Luminaire light beam spread	180°
Lamp version	3S [3rd generation, screw fixation]	Embedded control	CLO-DDF6 [Constant light output and DynaDimmer fixed presets version 6]
Light source color	740 neutral white	Control interface	-
Light source replaceable	Yes	Connection	No [-]
Number of gear units	1 unit	Cable	Cable 10 m without plug (C10K)
Driver/power unit/transformer	PSDD-CLO [Power supply unit with DynaDimmer and constant light output (integrated)]	Protection class IEC	Safety class II (II)

Copenhagen LED Small

Flammability mark	F [For mounting on normally flammable surfaces]
CE mark	CE mark
ENEC mark	-
Green Flagship mark	Green Flagship
Warranty period	5 years
Optic type outdoor	Distribution wide
Remarks	*-Per Lighting Europe guidance paper "Evaluating performance of LED based luminaires - January 2018": statistically there is no relevant difference in lumen maintenance between B50 and for example B10. Therefore the median useful life (B50) value also represents the B10 value. * At extreme ambient temperatures the luminaire might automatically dim down to protect components
Constant light output	Yes
Number of products on MCB of 16 A type B	20
RoHS mark	RoHS mark
WEEE mark	-
Light source engine type	LED
Serviceability class	Class A, luminaire is equipped with serviceable parts (when applicable): LED board, driver, control units, surge protection device, optics, front cover and mechanical parts
Product family code	BRS443 [Little Copenhagen LED side entry]

Light Technical

Upward light output ratio	0
Standard tilt angle posttop	0°
Standard tilt angle side entry	0°

Operating and Electrical

Input Voltage	220/240 V
Input Frequency	50 to 60 Hz
Initial CLO power consumption	18 W
Average CLO power consumption	18 W
End CLO power consumption	21 W
Inrush current	27 A
Inrush time	0.265 ms
Power Factor (Min)	0.9
Power Factor (Nom)	0.9

Controls and Dimming

Dimmable	No
----------	----

Mechanical and Housing

Reflector material	-
Optic material	Polycarbonate

Optical cover/lens material	Glass
Fixation material	Aluminum
Mounting device	48S [Side-entry for diameter 48 mm]
Optical cover/lens shape	Flat
Optical cover/lens finish	Clear
Overall height	312 mm
Overall diameter	380 mm
Effective projected area	0.08 m ²
Color	Opal

Approval and Application

Ingress protection code	IP65 [Dust penetration-protected, jet-proof]
Mech. impact protection code	IK08 [5 J vandal-protected]
Surge Protection (Common/Differential)	Luminaire surge protection level until 6 kV differential mode and 8 kV common mode

Initial Performance (IEC Compliant)

Initial luminous flux (system flux)	1680 lm
Luminous flux tolerance	+/-7%
Initial LED luminaire efficacy	83 lm/W
Init. Corr. Color Temperature	4000 K
Init. Color Rendering Index	≥70
Initial chromaticity	(0.382, 0.380) SDCM <5
Initial input power	19 W
Power consumption tolerance	+/-11%

Over Time Performance (IEC Compliant)

Control gear failure rate at median useful life 100000 h	10 %
Lumen maintenance at median useful life* 100000 h	L100

Application Conditions

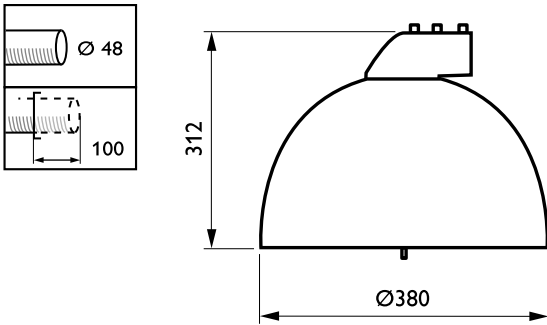
Ambient temperature range	-40 to +50 °C
Performance ambient temperature Tq	25 °C

Product Data

Full product code	871829108315300
Order product name	BRS443 GRN20-3S/740 II O-DW CLO-DDF6
EAN/UPC - Product	8718291083153
Order code	08315300
Numerator - Quantity Per Pack	1
Numerator - Packs per outer box	1
Material Nr. (12NC)	919008632061
Net Weight (Piece)	7.300 kg

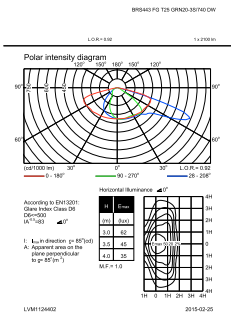
Copenhagen LED Small

Dimensional drawing



Copenhagen LED Mini BGS443

Photometric data



OFPL1_BRS443 FG T25 GRN20-3S740 DW.EPS

