



# InfraRed Industrial Heat Incandescent

## PAR38 IR 175W E27 240V CL 1CT/12

The Philips infrared incandescent reflector lamps are designed to work in the toughest environment such as farm, bathroom or kitchen and their nearest surrounding. They have a reinforced construction thanks to hard glass use. Their compact form and universal cap base allow them to be used with any suitable equipment. A very good method of generating warmth is by using heat lamps. The Philips infrared lamps provide direct, draught-free warmth to the animals, people, but also food. These benefits have made farmers, consumers and cooks around the world choose Philips infrared lamps, because they are the sturdiest, most efficient lamps available for these applications.

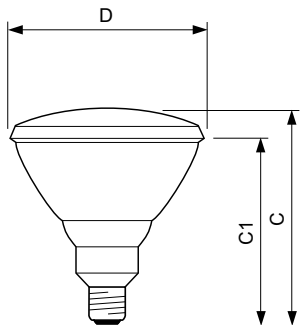
### Product data

General Information	
Cap base	E27 [ E27]
Operating position	UNIVERSAL [ Any/Universal]
Main application	Infrared Industrial
Nominal lifetime (nom.)	5000 h
Light Technical	
Colour designation	C
Operating and Electrical	
Power (Rated) (Nom)	175 W
Voltage (Nom)	240 V
Controls and Dimming	
Dimmable	yes

Mechanical and Housing	
Bulb finish	Clear (CL)
Bulb material	Hard Glass
Product Data	
Full product code	871150012895915
Order product name	PAR38 IR 175W E27 240V CL 1CT/12
EAN/UPC – product	8711500128959
Order code	12895915
Local Code	IR175C
Numerator – quantity per pack	1
Numerator – packs per outer box	12
Material no. (12NC)	923801345506
Net weight (piece)	308.000 g

## InfraRed Industrial Heat Incandescent

### Dimensional drawing



Product	D	C (max)	C1 (max)
PAR38 IR 175W E27 240V CL 1CT/12	121 mm	136 mm	124 mm

PAR38 IR 175W E27 240V CL

