



# PAR56

## PAR56 300W GX16d 230V WFL 1CT/6

Extremely powerful pressed-glass 179 mm diameter reflector lamps

### Product data

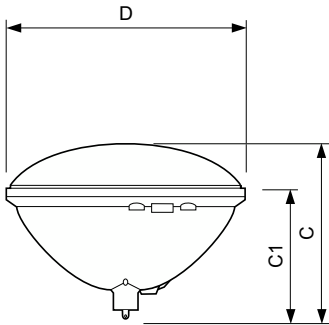
General Information	
Cap-Base	GX16D [GX16d]
Operating Position	UNIVERSAL [Any or Universal (U)]
Nominal lifetime	2,000 hour(s)
Switching Cycle	8,000
Rated Lifetime (Hours)	2,000 hour(s)
Lighting Technology	Incandescent
Light Technical	
Beam Angle (Nom)	40 degree(s)
Correlated Color Temperature (Nom)	2700 K
Color rendering index (CRI)	100
Luminous Flux in 90° Cone (Rated)	2,380 lm
Operating and Electrical	
Power Consumption	300.0 W
Starting Time (Nom)	0.0 s
Warm-up time to 60% light	instant full light s
Voltage (Nom)	230 V
Voltage (Nom)	230 V

Controls and Dimming	
Dimmable	Yes
Mechanical and Housing	
Bulb Shape	PAR56 [PAR 7inch/180mm]
Approval and Application	
Energy Consumption kWh/1000 h	300 kWh

Product Data	
Order product name	PAR56 300W GX16d 230V WFL 1CT/6
Full product name	PAR56 300W GX16d 230V WFL 1CT/6
Full product code	871150015965610
Order code	923804244221
Material Nr. (12NC)	923804244221
Numerator - Quantity Per Pack	1
EAN/UPC - Product/Case	8711500159656
Numerator - Packs per outer box	6
EAN/UPC - Case	8711500159663

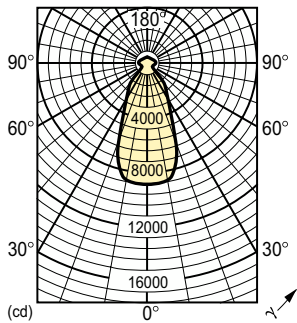
# PAR56

## Dimensional drawing



Product	D (max)	C (max)	C1
PAR56 300W GX16d 230V WFL 1CT/6	178.5 mm	126.9 mm	98 mm

## Photometric data



Light Distribution Diagram - PAR56 300W GX16d 230V WFL 1CT/6

