



PAR38

PAR38 80W E27 230V PAR38 Spot 12D 1CT/12

Pressed-glass 121 mm diameter reflector lamps of high luminous intensity

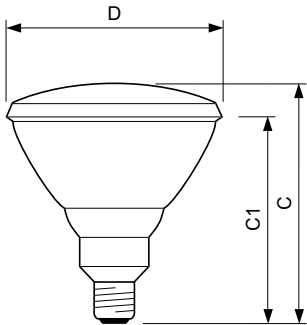
Product data

General Information	
Cap base	E27 [E27]
Burning Position	UNIVERSAL [Any/Universal]
Nominal lifetime (nom.)	2000 h
Switching cycle	8000X
Light Technical	
Technical Beam Angle (Nom)	12 °
Lamp Luminous Flux (Nom)	655 lm
Luminous intensity (max.)	4700 cd
Beam description	Spot
Rated beam angle	12 °
Colour Temperature, horizontal (Nom)	2700 K
Colour Rendering Index, horiz (Nom)	100
Luminous Flux in 90° Cone (Rated)	655 lm
Operating and Electrical	
Power (Rated) (Nom)	80.0 W
Starting time (nom.)	0.0 s
Warm-up time to 60% light (nom.)	instant full light
Power factor (nom.)	1

Voltage (Nom)	230 V
Controls and Dimming	
Dimmable	yes
Approval and Application	
Energy efficiency label (EEL)	D
Energy Consumption kWh/1000 h	80 kWh
Product Data	
Full product code	871150060037000
Order product name	PAR38 80W E27 230V PAR38 Spot 12D 1CT/12
EAN/UPC – product	8711500600370
Order code	923810244214
Numerator – quantity per pack	1
Numerator – packs per outer box	12
Material no. (12NC)	923810244214
Net weight (piece)	319.000 g
ILCOS Code	IPAR-80-230-E27-121/12

PAR38

Dimensional drawing



PAR38 80W E27 230V SP

Product	D (max)	C (max)
PAR38 80W E27 230V PAR38 Spot 12D 1CT/12	123 mm	137 mm

Photometric data

