



PAR38

PAR38 120W E27 240V FL 1CT/6

Pressed-glass 121 mm diameter reflector lamps of high luminous intensity

Product data

Operating and Electrical	
Power Consumption	120 W
Starting Time (Nom)	0.0 s
Voltage (Nom)	220-240 V

General Information	
Cap-Base	E27/51 [E27/51]
Operating Position	UNIVERSAL [Any or Universal (U)]
Nominal lifetime	2,000 hour(s)
Rated Lifetime (Hours)	2,000 hour(s)
Lighting Technology	Incandescent

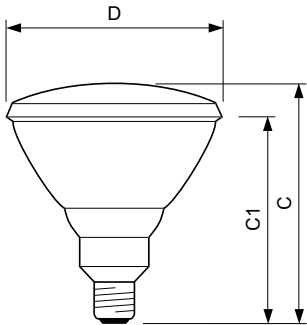
Light Technical	
Beam Angle (Nom)	30 degree(s)
Luminous Flux	1,150 lumen
Color rendering index (CRI)	100

Mechanical and Housing	
Bulb Shape	PAR38 [PAR 4.75 inch/121mm]

Product Data	
Full product code	871016317089300
Order product name	PAR38 120W E27 240V FL 1CT/6
Order code	17089300
Numerator - Quantity Per Pack	1
Numerator - Packs per outer box	6
Material number (12NC)	923815645594
Full product name	PAR38 120W E27 240V FL 1CT/6
EAN/UPC - Case	8710163170947

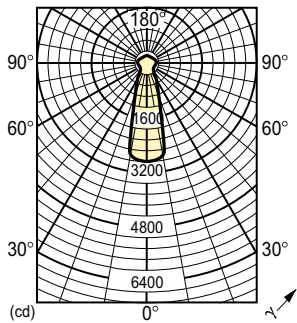
PAR38

Dimensional drawing



Product	D	C (max)	C1
PAR38 120W E27 240V FL 1CT/6	121 mm	137 mm	123 mm

Photometric data



Light Distribution Diagram - PAR38 120W E27 240V FL 1CT/6

