



# Aluline 37/56

## Aluline 50W 12V R56 25D CL 1CT/10X5F

Low-voltage halogen burner in a lightweight, high-gloss anodised aluminium reflector giving a white halogen light

### Product data

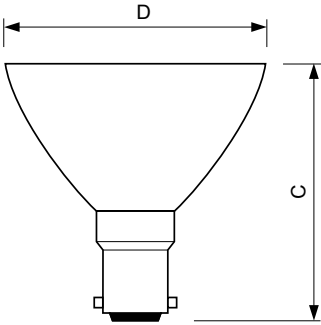
General Information	
Cap-Base	B15 [ B15]
Philips Code	6439
Operating Position	UNIVERSAL [ Any or Universal (U)]
ANSI Code Halogen	GBK
Nominal Lifetime (Nom)	4000 h
Switching Cycle	8000X
Light Technical	
Beam Angle (Nom)	25 °
Luminous Flux (Rated) (Nom)	760 lm
Luminous Intensity (Max)	2500 cd
Rated Beam Angle	25 °
Colour Temperature, horizontal (Nom)	3000 K
Colour Rendering Index horiz (Nom)	100
LLMF at End of Nominal Lifetime (Min)	80 %
Luminous Flux in 90° Cone (Rated)	760 lm
Operating and Electrical	
Power (Rated) (Nom)	50.0 W
Lamp Current (Nom)	4.17 A
Starting Time (Nom)	0.0 s
Warm Up Time to 60% Light (Nom)	instant full light
Power Factor (Nom)	1

Voltage (Nom)	12 V
Controls and Dimming	
Dimmable	Yes
Mechanical and Housing	
Bulb Finish	Clear (CL)
Cap-Base Information	24X17
Approval and Application	
Energy Efficiency Label	B
Energy Consumption kWh/1000 h	53 kWh
Luminaire Design Requirements	
Bulb Temperature (Max)	250 °C
Cap-Base Temperature (Max)	350 °C
Product Data	
Full product code	871869666690600
Order product name	Aluline 50W 12V R56 25D CL 1CT/10X5F
EAN/UPC - Product	8718696666906
Order code	66690600
Numerator - Quantity Per Pack	1
Numerator - Packs per outer box	50
Material Nr. (12NC)	923884117102

# Aluline 37/56

Net Weight (Piece)	39.200 g
ILCOS Code	HMGI-50-12-B15d-56/25

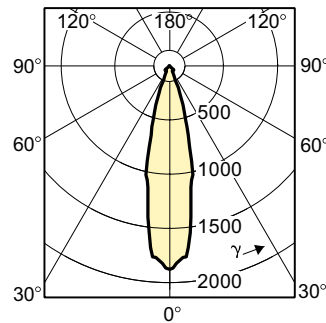
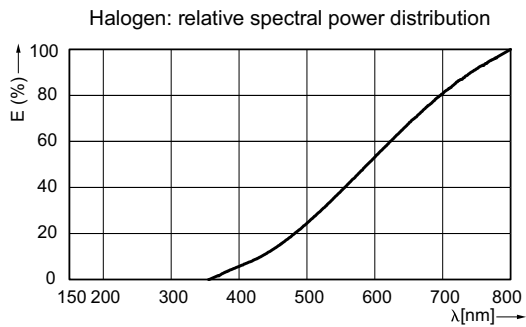
## Dimensional drawing



Alu 50W B15d 12V R56 25D CL

Product	D (max)	C (max)
Aluline 50W 12V R56 25D CL 1CT/10X5F	58 mm	58 mm

## Photometric data



Aluline 37/56 50W 25D

