



# Aluline 111

## Aluline 111 50W G53 12V 24D 1CT/6

Low-voltage halogen reflector lamp with high-purity aluminium reflector of 111 mm

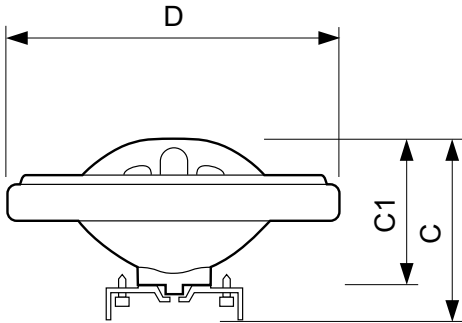
### Product data

General Information	
Cap base	G53 [ G53]
Philips code	14635
Burning Position	UNIVERSAL [ Any/Universal]
Nominal lifetime (nom.)	3000 h
Switching cycle	12000X
Light Technical	
Beam Angle (Nom)	24 °
Lamp Luminous Flux (Nom)	530 lm
Luminous intensity (max.)	4100 cd
Rated beam angle	24 °
Colour Temperature, horizontal (Nom)	3000 K
Colour Rendering Index, horiz (Nom)	100
LLMF at end of nominal lifetime (min.)	80 %
Luminous Flux in 90° Cone (Rated)	530 lm
Operating and Electrical	
Power (Rated) (Nom)	50.0 W
Lamp current (nom.)	4.2 A
Starting time (nom.)	0.0 s
Warm-up time to 60% light (nom.)	instant full light
Power factor (nom.)	1
Voltage (Nom)	12 V

Controls and Dimming	
Dimmable	yes
Approval and Application	
Energy efficiency label (EEL)	C
Energy Consumption kWh/1000 h	53 kWh
Luminaire Design Requirements	
Bulb temperature (max.)	900 °C
Cap base temperature (max.)	350 °C
Product Data	
Full product code	872790082015700
Order product name	Aluline 111 50W G53 12V 24D 1CT/6
EAN/UPC – product	8727900820157
Order code	924065117101
Numerator – quantity per pack	1
Numerator – packs per outer box	6
Material no. (12NC)	924065117101
Net weight (piece)	0.055 kg
ILCOS Code	HRGI-50-12-G53-50/24

# Aluline 111

## Dimensional drawing



Product	D (max)	C (max)	C1 (max)
Aluline 111 50W G53 12V 24D 1CT/6	111 mm	67 mm	51 mm

ALU 111mm 14635 50W G53 12V 24D

## Photometric data

