



Aluline PRO III

Aluline PRO III ALU111MM 50W G53 12V 24D

Philips ALUline Pro 111 lamps feature a large diameter, low voltage and provide excellent flexibility for comfortable, glare-free accent lighting. The filament shield even eliminates direct light, producing a precise, smooth beam of very sharp contrast. ALUline Pro 111 lamps are compatible with a dedicated G53 socket by direct wire connection to screw or push-in terminals on the lamp and are suitable for open luminaires thanks to low pressure. UVblock reduces color fading over a 3000 hour rated average life†. Ideal for accent lighting in retail displays, exhibition halls in art galleries, and museums. †Rated average life is the length of operation (in hours) at which point an average of 50% of the lamps will still be operational and 50% will not..

Product data

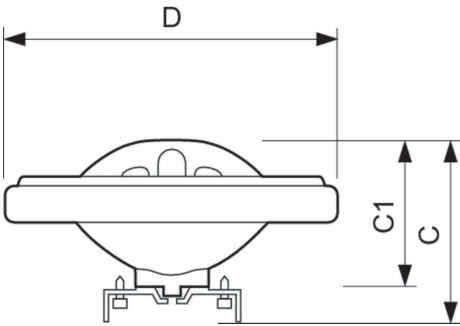
General Information		Starting Time (Nom)	
Cap-Base	G53 [G53]		0.0 s
Operating Position	UNIVERSAL [Any or Universal (U)]	Warm-up time to 60% light	instant full light s
Nominal lifetime	3,000 hour(s)	Power Factor (Fraction)	1
Switching Cycle	12,000	Voltage (Nom)	12 V
Rated Lifetime (Hours)	3,000 hour(s)	Voltage (Nom)	12 V
Lighting Technology	Halogen	Controls and Dimming	
		Dimmable	Yes
Light Technical		Mechanical and Housing	
Beam Angle (Nom)	24 degree(s)	Bulb Shape	R111 [R 111mm]
Correlated Color Temperature (Nom)	3000 K	Approval and Application	
Color rendering index (CRI)	100	Energy Consumption kWh/1000 h	53 kWh
Luminous Flux in 90° Cone (Rated)	530 lm	Product Data	
Operating and Electrical		Order product name	ALU PRO 50W G53 12V 24D 1CT/6
Power Consumption	50.0 W		
Lamp Current (Nom)	4.2 A		

Aluline PRO III

Full product name	Aluline PRO III ALU111MM 50W G53 12V 24D
Order code	133974
Material Nr. (12NC)	924065117182
Numerator - Quantity Per Pack	1
EAN/UPC - Product/Case	8711500426550

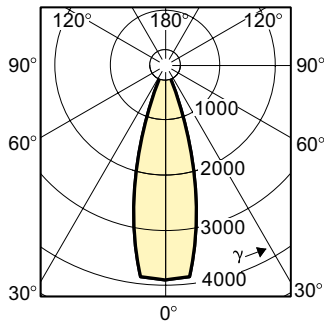
Numerator - Packs per outer box	6
EAN/UPC - Case	50046677133974

Dimensional drawing



Product	D (max)	C (max)	C1 (max)
ALU PRO 50W G53 12V 24D 1CT/6	111 mm	67 mm	51 mm

Photometric data



Light Distribution Diagram - ALU PRO 50W G53 12V 24D 1CT/6

