



PAR56 and PAR64

PAR64 1000W 240V NSP

These self-contained spotlights are ideal for intensifying the visual experience in all kinds of clubs, that is because their accurate beam control picks out even the smallest of details even over long distances. This beam control makes the PAR 56 and PAR 64 excellent for long-range light projections. In addition, the universal burning feature provides complete flexibility of luminaires angle and position, while the front glass of the PAR56 provides thermal and physical protection. The result? Complete creative freedom to achieve the desired effect. Immediate re-strike also ensures instant resumption of entertainment after any power interruption.

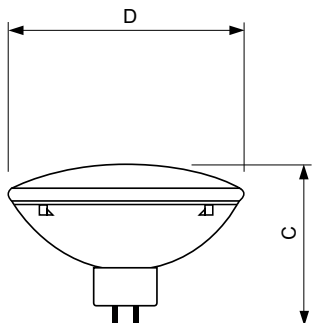
Product data

General Information	
Cap base	GX16D [GX16d]
ANSI Code	EXD
LIF code	CP61
Burning Position	UNIVERSAL [Any/Universal]
Main application	Flood and Ambient Lighting
Gas filling	GAS
Life to 50% failures (min.)	300 h
Nominal lifetime (nom.)	300 h
Light Technical	
Technical Beam Angle (Nom)	12 °
Luminous intensity (max.)	290000 cd
Beam description	Narrow Spot
Colour Temperature, horizontal (Nom)	3200 K
Operating and Electrical	
Power (Rated) (Nom)	1000 W
Voltage (Nom)	240 V

Controls and Dimming	
Dimmable	yes
Mechanical and Housing	
Cap base information	na [-]
Product Data	
Full product code	871150044072310
Order product name	PAR64 1000W 240V NSP
EAN/UPC – product	8711500440723
Order code	924783345504
Local Code	CP61
Numerator – quantity per pack	1
Numerator – packs per outer box	6
Material no. (12NC)	924783345504
Net weight (piece)	0.760 kg

PAR56 and PAR64

Dimensional drawing



Product	D (max)	C (max)
PAR64 1000W 240V NSP	204 mm	150 mm

PAR64 1000W 240V NSP

