

PHILIPS

Lighting



PAR56 and PAR64

PAR64 1000W 240V MFL

These self-contained spotlights are ideal for intensifying the visual experience in all kinds of clubs, that is because their accurate beam control picks out even the smallest of details even over long distances. This beam control makes the PAR 56 and PAR 64 excellent for long-range light projections. In addition, the universal burning feature provides complete flexibility of luminaires angle and position, while the front glass of the PAR56 provides thermal and physical protection. The result? Complete creative freedom to achieve the desired effect. Immediate re-strike also ensures instant resumption of entertainment after any power interruption.

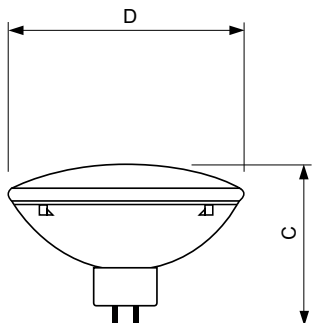
Product data

General Information	
Cap base	GX16D [GX16d]
ANSI Code	EXE
LIF code	CP62
Operating position	UNIVERSAL [Any or Universal (U)]
Main application	Flood and Ambient Lighting
Gas filling	GAS
Life to 50% failures (min.)	300 h
Nominal lifetime (nom.)	300 h
Light Technical	
Beam Angle (Nom)	23 °
Luminous intensity (max.)	130000 cd
Beam description	Medium Flood
Correlated colour temperature (nom.)	3200 K
Operating and Electrical	
Power (Rated) (Nom)	1000 W
Voltage (Nom)	240 V

Controls and Dimming	
Dimmable	Yes
Mechanical and Housing	
Cap base information	na [-]
Product Data	
Full product code	871150044076110
Order product name	PAR64 1000W 240V MFL
EAN/UPC – product	8711500440761
Order code	44076110
Numerator – quantity per pack	1
Numerator – packs per outer box	6
Material no. (12NC)	924783445504
Net weight (piece)	0.760 kg

PAR56 and PAR64

Dimensional drawing



Product	D (max)	C (max)
PAR64 1000W 240V MFL	204 mm	150 mm

PAR64 1000W 240V MFL

