



PAR56 and PAR64

Par56 MFL 300W 240V GX16d.1CT/6

These self-contained spotlights are ideal for intensifying the visual experience in all kinds of clubs, that is because their accurate beam control picks out even the smallest of details even over long distances. This beam control makes the PAR 56 and PAR 64 excellent for long-range light projections. In addition, the universal burning feature provides complete flexibility of luminaires angle and position, while the front glass of the PAR56 provides thermal and physical protection. The result? Complete creative freedom to achieve the desired effect. Immediate re-strike also ensures instant resumption of entertainment after any power interruption.

Product data

| General Information | |
|----------------------------|----------------------------|
| Cap-Base | GX16D [GX16d] |
| ANSI Code | - |
| LIF Code | - |
| Operating Position | UNIVERSAL [Universal] |
| Main Application | Flood and Ambient Lighting |
| Life to 50% Failures (Min) | 2000 h |
| Nominal Lifetime (Nom) | 2000 h |

| Light Technical | |
|------------------------------------|--------------|
| Beam Angle (Nom) | 20 ° |
| Luminous Intensity (Max) | 30000 cd |
| Beam Description | Medium Flood |
| Correlated Color Temperature (Nom) | 3000 K |

| Operating and Electrical | |
|--------------------------|-------|
| Power (Rated) (Nom) | 300 W |
| Voltage (Nom) | 240 V |

| Controls and Dimming | |
|----------------------|-----|
| Dimmable | Yes |

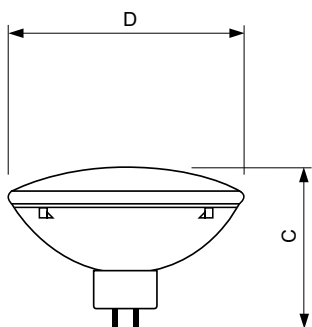
| Mechanical and Housing | |
|------------------------|---------|
| Cap-Base Information | na [-] |

| Approval and Application | |
|-------------------------------|----------------|
| Energy Efficiency Label (EEL) | Not applicable |

| Product Data | |
|---------------------------------|---------------------------------|
| Full product code | 871150044194210 |
| Order product name | Par56 MFL 300W 240V GX16d.1CT/6 |
| EAN/UPC - Product | 8711500441942 |
| Order code | 924783645504 |
| Numerator - Quantity Per Pack | 1 |
| Numerator - Packs per outer box | 6 |
| Material Nr. (12NC) | 924783645504 |
| Net Weight (Piece) | 0.542 kg |

PAR56 and PAR64

Dimensional drawing



PAR56 300W 240V MFL

| Product | D (max) | C (max) |
|---------------------------------|---------|---------|
| Par56 MFL 300W 240V GX16d.1CT/6 | 178 mm | 127 mm |

