



Twistline GU10

50TWISTLINE GU10/FL25 120V 6PK

Bright, white accent light with superior energy savings Philips Twistline GU10 Philips Halogen Twistline MR16 with GU10 base provide bright white accent light. The twist and lock base enables easy installation and a secure fit. Suited for track and recessed lighting applications.

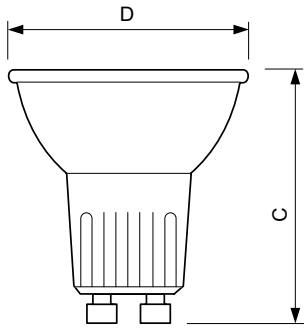
Product data

General Information	
Base	GU10 [GU10]
Operating Position	Universal [Universal]
Nominal Lifetime (Nom)	2000 h
Light Technical	
Beam Angle (Nom)	25 °
Luminous Intensity (Max)	700 cd
Correlated Color Temperature (Nom)	2800 K
Color Rendering Index (Nom)	100
Operating and Electrical	
Power (Rated) (Nom)	50 W
Starting Time (Nom)	0.0 s
Voltage (Nom)	120 V
Controls and Dimming	
Dimmable	Yes

Mechanical and Housing	
Bulb Finish	Clear (CL)
Approval and Application	
Energy Efficiency Label (EEL)	Not applicable
Product Data	
Order product name	50TWISTLINE/FL 120V5/6
EAN/UPC - Product	50046677415766
Order code	415760
Numerator - Quantity Per Pack	1
Numerator - Packs per outer box	5
Material Nr. (12NC)	925691836308
Net Weight (Piece)	0.046 kg

Twistline GU10

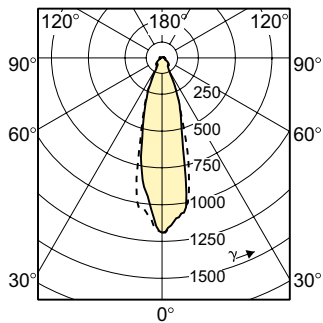
Dimensional drawing



TWIST 50W GU10 120V 25D

Product	D (max)	C (max)
50TWISTERLINE/FL 120V5/6	51 mm	53 mm

Photometric data



Twistline Dichroic 25D

