



# Aluline 111

## Alu111 50W 4000h G53 12V 24D 1CT/6

Low-voltage halogen reflector lamp with high-purity aluminium reflector of 111 mm

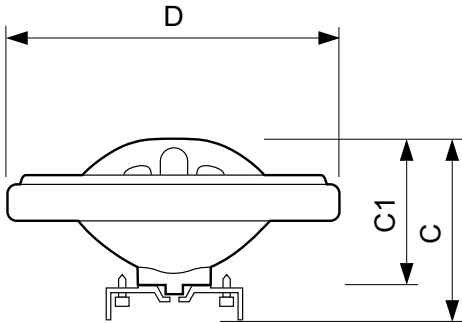
### Product data

| General Information                    |                            |
|--|----------------------------|
| Cap base                               | G53 [ G53]                 |
| Operating position                     | UNIVERSAL [ Any/Universal] |
| Gas filling                            | KRYPTON                    |
| Nominal lifetime (nom.)                | 4000 h                     |
| Light Technical                        |                            |
| Beam Angle (Nom)                       | 24 °                       |
| Luminous flux (nom.)                   | 507 lm                     |
| Luminous flux (rated) (nom.)           | 507 lm                     |
| Luminous intensity (max.)              | 2900 cd                    |
| Rated beam angle                       | 24 °                       |
| Correlated colour temperature (nom.)   | 2800 K                     |
| Color rendering index (nom.)           | 100                        |
| LLMF at end of nominal lifetime (nom.) | 80 %                       |
| Operating and Electrical               |                            |
| Power (Rated) (Nom)                    | 50.0 W                     |
| Lamp current (nom.)                    | 0.24 A                     |
| Wattage equivalent                     | 62 W                       |
| Starting time (nom.)                   | 0.0 s                      |
| Warm-up time to 60% light (nom.)       | instant full light s       |
| Power factor (nom.)                    | 1                          |
| Voltage (Nom)                          | 12 V                       |

| Controls and Dimming            |                                    |
|---------------------------------|------------------------------------|
| Dimmable                        | yes                                |
| Approval and Application        |                                    |
| Energy efficiency label (EEL)   | C                                  |
| Energy Consumption kWh/1000 h   | 53 kWh                             |
| Luminaire Design Requirements   |                                    |
| Bulb temperature (max.)         | 900 °C                             |
| Cap base temperature (max.)     | 350 °C                             |
| Product Data                    |                                    |
| Full product code               | 871869658866600                    |
| Order product name              | Alu111 50W 4000h G53 12V 24D 1CT/6 |
| EAN/UPC – product               | 8718696588666                      |
| Order code                      | 58866600                           |
| Numerator – quantity per pack   | 1                                  |
| Numerator – packs per outer box | 6                                  |
| Material no. (12NC)             | 925721417101                       |
| Net weight (piece)              | 0.050 kg                           |

# Aluline 111

## Dimensional drawing



| Product                            | D (max) | C (max) | C1 (max) |
|------------------------------------|---------|---------|----------|
| Alu111 50W 4000h G53 12V 24D 1CT/6 | 111 mm  | 67 mm   | 51 mm    |

Aluline 111 G53 12V 50W 24D

## Photometric data

