



# MASTER CosmoWhite CPO-TT Xtra

## MST CosmoWhite CPO-TT Xtra 140W/628 E40

New-generation ceramic metal-halide tubular lamps used in outdoor applications, offering efficient and pleasant white light

### Warnings and Safety

- Use only in a totally enclosed luminaire, even during testing (IEC 61167, IEC 62035, IEC 60598)
- The luminaire must be able to contain hot lamp parts if the lamp ruptures
- Use only with suitable electronic control gear
- Control gear must include end-of-life protection (IEC 61167, IEC 62035)
- E27 lamp holders and other parts in luminaires should be designed to withstand the ignition voltage of the electronic control gear (rated at 5 kV ignition pulse)
- A lamp breaking is extremely unlikely to have any impact on your health. If a lamp breaks, ventilate the room for 30 minutes and remove the parts, preferably with gloves. Put them in a sealed plastic bag and take it to your local waste facilities for recycling. Do not use a vacuum cleaner.

### Product data

General Information		Operating and Electrical	
Cap base	E40 [E40]	Correlated Colour Temperature	2800 K
Operating position	P20 [Parallel +/-20D or Horizontal(HOR)]	Luminous efficacy (rated) (nom.)	116.31 lm/W
Flux measurement reference	Sphere	Colour rendering index (CRI)	68
Life to 50% failures (nom.)	32,000 h	Arc Length O (Nom)	23 mm
Light Technical		Power Consumption	141.0 W
Colour Code	628 [CCT of 2800K]	Voltage (nom.)	90 V
Luminous Flux	16,400 lm	Voltage (nom.)	90 V
Colour designation	Warm White (WW)		
Chromaticity Coordinate X (Nom)	0.447		
Chromaticity Coordinate Y (Nom)	0.4		

# MASTER CosmoWhite CPO-TT Xtra

## Controls and Dimming

Dimmable	Yes
----------	-----

## Mechanical and Housing

Lamp Finish	Clear
Bulb shape	T46 [T 46 mm]

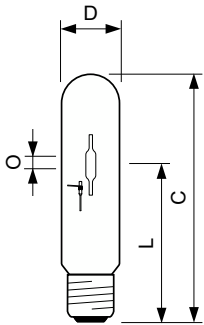
## Approval and Application

Energy Efficiency Class	F
Mercury (Hg) content (max.)	3.9 mg
Mercury (Hg) content (nom.)	3.90 mg
Energy consumption kWh/1,000 hours	141 kWh
EPREL registration number	473309

## Product Data

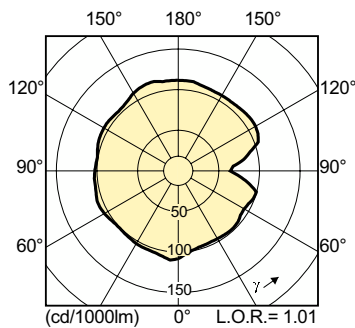
Order product name	MST CosmoWhite CPO-TT Xtra 140W/628 E40
Full product name	MST CosmoWhite CPO-TT Xtra 140W/628 E40
Full EOC	871829169032000
Order code	69032000
Material no. (12 NC)	928060309227
Local order code	140CPOTT628
SAP numerator – quantity per pack	1
EAN/UPC – Product/Case	8718291690320
Numerator – packs per outer box	12
EAN/UPC – Case	8718291690337

## Dimensional drawing

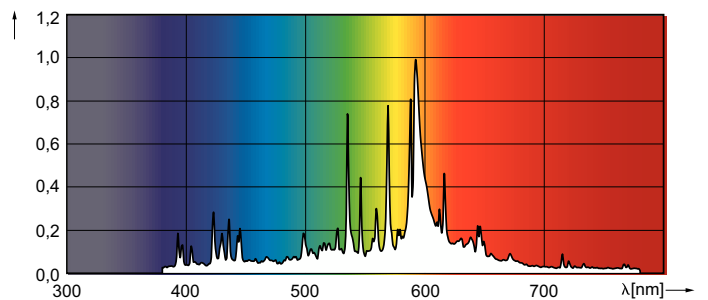


Product	D (max)	D	O	L	C (max)
MST CosmoWhite CPO-TT Xtra 140W/628 E40	47 mm	46 mm	23 mm	132 mm	211 mm

## Photometric data



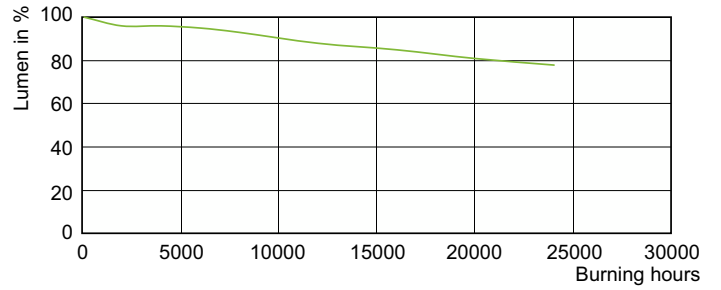
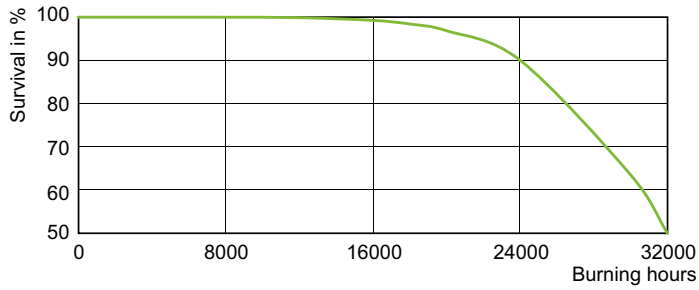
Light Distribution Diagram - MST CosmoWhite CPO-TT Xtra 140W/628 E40



Spectral Power Distribution Colour - MST CosmoWhite CPO-TT Xtra 140W/628 E40

# MASTER CosmoWhite CPO-TT Xtra

## Lifetime



Life Expectancy Diagram - MST CosmoWhite CPO-TT Xtra 140W/628 E40

Lumen Maintenance Diagram - MST CosmoWhite CPO-TT Xtra 140W/628 E40

