



MASTER CosmoWhite CPO-TT Xtra

MST CosmoWhite CPO-TT Xtra 315W/942 E40

New-generation ceramic metal-halide tubular lamps used in outdoor applications, offering efficient and pleasant white light

Product data

General Information			
Cap base	E40 [E40]	Chromaticity coordinate X (nom.)	0.362
Operating position	UNIVERSAL [Any/Universal]	Chromaticity coordinate Y (nom.)	0.375
Life to 5% failures (nom.)	12000 h	Luminous efficacy (rated) (nom.)	111 lm/W
Life to 10% failures (nom.)	16000 h	Color rendering index (nom.)	90
Life to 20% failures (nom.)	20000 h	LLMF 2000 h Rated	98 %
Life to 50% failures (nom.)	30000 h	LLMF 4000 h Rated	97 %
ANSI code HID	-	LLMF 6000 h Rated	96 %
LSF 2000 h Rated	99 %	LLMF 8000 h Rated	94 %
LSF 4000 h Rated	99 %	LLMF 12000 h Rated	92 %
LSF 6000 h Rated	99 %	LLMF 16000 h Rated	88 %
LSF 8000 h Rated	98 %	LLMF 20000 h Rated	85 %
LSF 12000 h Rated	95 %	LLMF 24000 h Rated	81 %
LSF 16000 h Rated	90 %	LLMF 30000 h Rated	75 %
LSF 20000 h Rated	82 %	Ratio Scotopic/Photopic Lumens	1.91
LSF 24000 h Rated	70 %		
LSF 30000 h Rated	50 %		
Light Technical		Operating and Electrical	
Colour code	942 [CCT of 4,200 K]	Power (Rated) (Nom)	315.0 W
Luminous flux (rated) (nom.)	34750 lm	Re-ignition time (min.) (max.)	900 s
Colour designation	Cool White (CW)	Ignition time (max.)	30 s
		Voltage (Nom)	94 V

MASTER CosmoWhite CPO-TT Xtra

Controls and Dimming

Dimmable	yes
Run-up time 90% (max.)	3 min

Mechanical and Housing

Bulb finish	Clear (CL)
-------------	------------

Approval and Application

Energy efficiency label (EEL)	A+
Mercury (Hg) content (nom.)	25 mg
Energy Consumption kWh/1000 h	347 kWh

UV

PET (NIOSH) (min.)	44 h/500lx
PET (NIOSH) (nom.)	77 h/500lx
Damage factor D/fc (nom.)	0.59

Luminaire Design Requirements

Bulb temperature (max.)	450 °C
Cap base temperature (max.)	250 °C

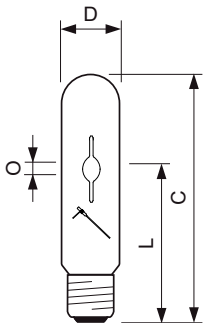
Product Data

Full product code	871829169107500
Order product name	MST CosmoWhite CPO-TT Xtra 315W/942 E40
EAN/UPC – product	8718291691075
Order code	69107500
Local Code	315CPOTT942
Numerator – quantity per pack	1
Numerator – packs per outer box	12
Material no. (12NC)	928060509227
Net weight (piece)	0.165 kg

Warnings and Safety

- Use only in a totally enclosed luminaire, even during testing (IEC 61167, IEC 62035, IEC 60598)
- The luminaire must be able to contain hot lamp parts if the lamp ruptures
- Use only with suitable electronic control gear
- Control gear must include end-of-life protection (IEC 61167, IEC 62035)
- E27 lamp holders and other parts in luminaires should be designed to withstand the ignition voltage of the electronic control gear (rated at 5 kV ignition pulse)
- A lamp breaking is extremely unlikely to have any impact on your health. If a lamp breaks, ventilate the room for 30 minutes and remove the parts, preferably with gloves. Put them in a sealed plastic bag and take it to your local waste facilities for recycling. Do not use a vacuum cleaner.

Dimensional drawing

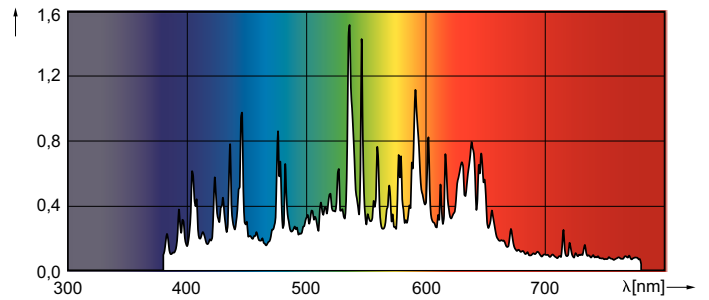
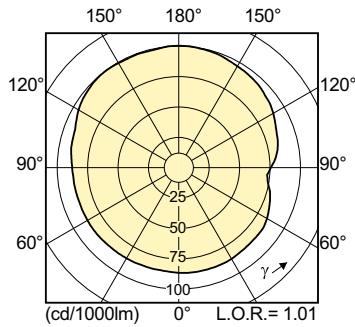


CPO-TT Xtra 315W/942 E40

Product	D (max)	D	O	L	C (max)
MST CosmoWhite CPO-TT Xtra 315W/942 E40	47 mm	46 mm	14 mm	162 mm	257 mm

MASTER CosmoWhite CPO-TT Xtra

Photometric data



Lifetime

