



MHN-TD

MHN-TD 150W/842 RX7s 1CT/12

Double-envelope, single- or double-ended Metal halide lamps

Product data

General Information	
Cap base	RX7S [RX7s]
Burning Position	P45 [Parallel +/-45D or Horizontal(HOR)]
Life to 5% failures (min.)	4000 h
Life to 5% failures (nom.)	5000 h
Life to 20% failures (min.)	6500 h
Life to 20% failures (nom.)	8000 h
Life to 50% failures (min.)	8500 h
Life to 50% failures (nom.)	10500 h
ANSI code HID	M81/E
Footnotes HID 1	Color characteristics may vary somewhat from one lamp type to another. Time should be allowed for the lamp to stabilize in color when it is turned on for the first time or if for any reason its operating position is changed. This may require several hours' operation, with more than one start. Lamp color and output may change temporarily if the lamp is subjected to excess vibration or shock. Lamp color characteristics may change after long accumulate operating time.
Footnotes HID 2	Supply volts must be +/- 5% of rated ballast line volts for reactor type and +/- 10% for CWA or electronic ballasts.

Light Technical	
Colour Code	842 [CCT of 4,200 K]
Lamp Luminous Flux (Min)	11600 lm
Lamp Luminous Flux (Nom)	12900 lm
Colour Designation	Cool White (CW)
Lumen maintenance 10,000 hours (min.)	60 %
Lumen maintenance 10,000 hours (nom.)	70 %
Lumen maintenance 2,000 hours (min.)	74 %
Lumen maintenance 2,000 hours (nom.)	80 %
Lumen maintenance 5,000 hours (min.)	68 %
Lumen maintenance 5,000 hours (nom.)	75 %
Chromaticity coordinate X (nom.)	370
Chromaticity coordinate Y (nom.)	370
Colour Temperature, horizontal (Nom)	4200 K
Lamp Luminous Efficacy EM (Min)	75 lm/W
Lamp Luminous Efficacy EM (Nom)	86 lm/W
Colour Rendering Index,horiz (Nom)	85
Operating and Electrical	
Power (Rated) (Nom)	150.0 W
Lamp current run-up (max.)	2.4 A
Lamp current (EM) (nom.)	1.8 A
Ignition supply voltage (max.)	198 V
Ignition peak voltage (max.)	5000 V
Ignition supply voltage (min.)	198 V

MHN-TD

Ignition peak voltage (min.)	3500 V
Voltage (Max)	108 V
Voltage (Min)	88 V
Voltage (Nom)	98 V

Controls and Dimming

Dimmable	no
----------	----

Mechanical and Housing

Bulb finish	Clear (CL)
Cap base information	na [-]

Approval and Application

Energy efficiency label (EEL)	A
Mercury (Hg) content (nom.)	12.3 mg
Energy Consumption kWh/1000 h	165 kWh

Luminaire Design Requirements

Bulb temperature (max.)	650 °C
Pinch temperature (max.)	280 °C

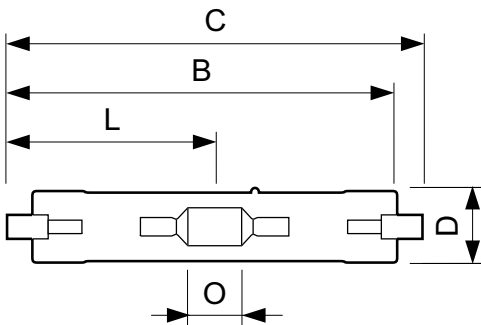
Product Data

Full product code	871829121536300
Order product name	MHN-TD 150W/842 RX7s 1CT/12
EAN/UPC – product	8718291215363
Order code	21536300
Numerator – quantity per pack	1
Numerator – packs per outer box	12
Material no. (12NC)	928076505190
Net weight (piece)	0.028 kg
ILCOS Code	MD/UB-150/842-H-RX7s-25/135.4

Warnings and Safety

- Use only in totally enclosed luminaire, even during testing (IEC61167, IEC 62035, IEC60598)
- The luminaire must be able to contain hot lamp parts if the lamp ruptures
- Control gear must include end-of-life protection (IEC61167, IEC 62035)
- A lamp breaking is extremely unlikely to have any impact on your health. If a lamp breaks, ventilate the room for 30 minutes and remove the parts, preferably with gloves. Put them in a sealed plastic bag and take it to your local waste facilities for recycling. Do not use a vacuum cleaner.

Dimensional drawing

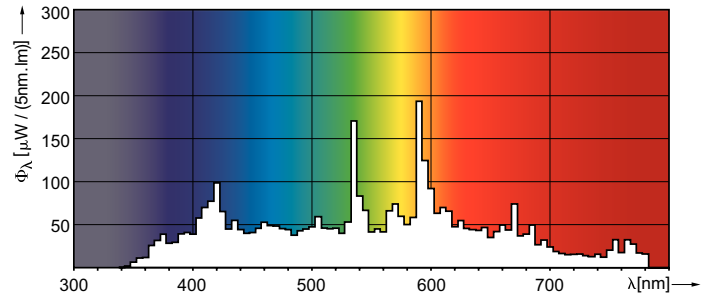


MHN-TD 150W/842 RX7s

Product	D (max)	D	O	C (max)
MHN-TD 150W/842 RX7s 1CT/12	23.0 mm	0.89 in	17.8 mm	135.4 mm

MHN-TD

Photometric data



Lifetime

