

**PHILIPS**

Lighting



# MASTER CosmoWhite CPO-TW & CPO-TW Xtra

## MASTER CosmoWhite CPO-TW Xtra 45W/628 PGZ12

New-generation ceramic metal halide lamps used in Outdoor offering efficient and pleasant white light

### Product data

General Information		Light Technical	
Cap base	PGZ12 [ PGZ12]	Colour code	628 [ CCT of 2.800 K]
Operating position	UNIVERSAL [ Any/Universal]	Luminous flux (rated) (nom.)	4950 lm
Life to 5% failures (nom.)	21500 h	Colour designation	White (WH)
Life to 10% failures (nom.)	24000 h	Chromaticity coordinate X (nom.)	459
Life to 20% failures (nom.)	27000 h	Chromaticity coordinate Y (nom.)	412
Life to 50% failures (nom.)	32000 h	Luminous efficacy (rated) (nom.)	110 lm/W
ANSI code HID	C196/E	Color rendering index (min.)	63
LSF 2000 h Rated	99 %	Color rendering index (nom.)	66
LSF 4000 h Rated	99 %	LLMF 2000 h Rated	92 %
LSF 6000 h Rated	99 %	LLMF 4000 h Rated	90 %
LSF 8000 h Rated	99 %	LLMF 6000 h Rated	90 %
LSF 12000 h Rated	99 %	LLMF 8000 h Rated	90 %
LSF 16000 h Rated	99 %	LLMF 12000 h Rated	89 %
LSF 20000 h Rated	97 %	LLMF 16000 h Rated	87 %
LSF 24000 h Rated	90 %	LLMF 20000 h Rated	86 %
LSF 30000 h Rated	63 %	LLMF 24000 h Rated	84 %
		LLMF 30000 h Rated	82 %

# MASTER CosmoWhite CPO-TW & CPO-TW Xtra

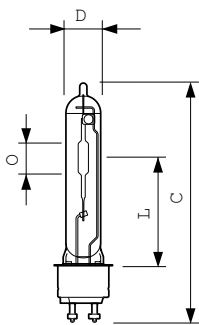
Ratio Scotopic/Photopic Lumens	1.15
<b>Operating and Electrical</b>	
Power (Rated) (Nom)	45.0 W
Ignition peak voltage (max.)	5000 V
Re-ignition time (min.) (max.)	900 s
Ignition time (max.)	30 s
Voltage (Max)	98 V
Voltage (Min)	84 V
Voltage (Nom)	91 V
<b>Controls and Dimming</b>	
Dimmable	yes
Run-up time 90% (max.)	4 min
<b>Mechanical and Housing</b>	
Bulb finish	Clear (CL)
<b>Approval and Application</b>	
Energy efficiency label (EEL)	A+
Mercury (Hg) content (nom.)	2.0 mg
Energy Consumption kWh/1000 h	50 kWh

<b>UV</b>	
PET (NIOSH) (min.)	8 h/500lx
PET (NIOSH) (nom.)	20 h/500lx
Damage factor D/fc (nom.)	0.21
<b>Luminaire Design Requirements</b>	
Bulb temperature (max.)	380 °C
Cap base temperature (max.)	250 °C
<b>Product Data</b>	
Full product code	871829115001500
Order product name	MASTER CosmoWhite CPO-TW Xtra 45W/628 PGZ12
EAN/UPC – product	8718291150015
Order code	15001500
Local Code	45CPOTW628
Numerator – quantity per pack	1
Numerator – packs per outer box	12
Material no. (12NC)	928083805127
Net weight (piece)	0.034 kg
ILCOS Code	MT-45/628-H-PGZ12-20/132

## Warnings and Safety

- Use only in totally enclosed luminaire, even during testing (IEC61167, IEC 62035, IEC60598)
- The luminaire must be able to contain hot lamp parts if the lamp ruptures
- Use only with electronic control gear
- Control gear must include end-of-life protection (IEC61167, IEC 62035)

## Dimensional drawing

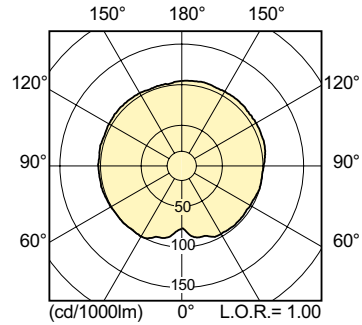
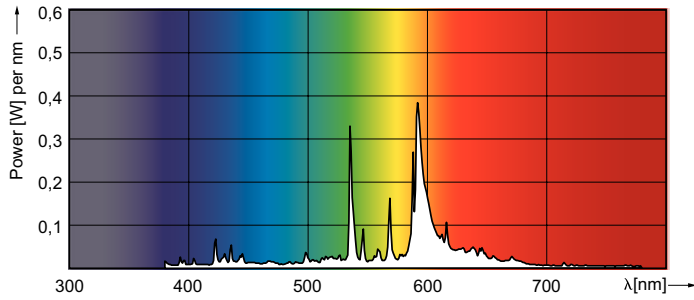


CPO-TW Xtra 45W/628 PGZ12

Product	D (max)	D	O	L	C (max)
MASTER CosmoWhite CPO-TW Xtra 45W/628 PGZ12	20 mm	19 mm	14 mm	59 mm	132 mm

# MASTER CosmoWhite CPO-TW & CPO-TW Xtra

## Photometric data



## Lifetime

