

# PHILIPS

## Lighting



# CosmoPolis CosmoWhite

## CPO-TW 140W/728 White PGZ12

Philips Cosmopolis Outdoor Lighting System simplifies outdoor lighting with the combination of a miniature lamp and an optimized electronic ballast system.

### Product data

General Information		Operating and Electrical	
Base	PGZ12 [ PGZ12]	Chromaticity Coordinate X (Nom)	440
Operating Position	Universal [ Universal]	Chromaticity Coordinate Y (Nom)	413
Life to 5% Failures (Nom)	18000 h	Luminous Efficacy (rated) (Nom)	125 lm/W
Life To 10% Failures (Nom)	20000 h	Color Rendering Index (Nom)	72
Life to 20% Failures (Nom)	24000 h	LLMF 2000 h Rated	94 %
Life to 50% Failures (Nom)	30000 h	LLMF 4000 h Rated	93 %
ANSI Code HID	C189/E	LLMF 6000 h Rated	92 %
LSF 2000 h Rated	99 %	LLMF 8000 h Rated	91 %
LSF 4000 h Rated	99 %	LLMF 12000 h Rated	89 %
LSF 6000 h Rated	99 %	LLMF 16000 h Rated	88 %
LSF 8000 h Rated	99 %	LLMF 20000 h Rated	87 %
LSF 12000 h Rated	99 %	LLMF 24000 h Rated	86 %
LSF 16000 h Rated	97 %	Ratio Scotopic/Photopic Lumens	1.30
LSF 20000 h Rated	90 %		
LSF 24000 h Rated	80 %		
LSF 30000 h Rated	50 %		
Light Technical		Operating and Electrical	
Color Code	728 [ CCT of 2800K]	Power (Rated) (Nom)	140.0 W
Luminous Flux (Rated) (Nom)	17600 lm	Ignition Peak Voltage (Max)	5000 V
Color Designation	White (WH)	Re-Ignition Time (Min) (Max)	900 s
		Ignition Time (Max)	30 s
		Voltage (Max)	100 V
		Voltage (Min)	88 V

# CosmoPolis CosmoWhite

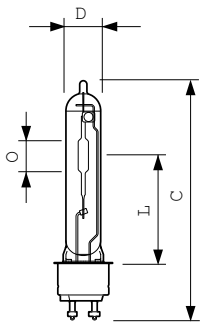
Voltage (Nom)	94 V
<b>Controls and Dimming</b>	
Dimmable	Yes
Run-Up Time 90% (Max)	4 min
<b>Mechanical and Housing</b>	
Bulb Finish	Clear (CL)
<b>Approval and Application</b>	
Energy Efficiency Label (EEL)	A+
Mercury (Hg) Content (Nom)	3.9 mg
Energy Consumption kWh/1000 h	154 kWh
<b>UV</b>	
Pet (Niosh) (Min)	8 h/500lx
Damage Factor D/fc (Nom)	0.14

<b>Luminaire Design Requirements</b>	
Bulb Temperature (Max)	550 °C
Cap-Base Temperature (Max)	300 °C
<b>Product Data</b>	
Order product name	CPO-TW 140W/728 White PGZ12
EAN/UPC - Product	046677157326
Order code	157321
Numerator - Quantity Per Pack	1
Numerator - Packs per outer box	12
Material Nr. (12NC)	928088805105
Net Weight (Piece)	0.040 kg
ILCOS Code	MT-140/728-H-PGZ12-20/150

## Warnings and Safety

- R "WARNING: These lamps can cause serious skin burn and eye inflammation from short wave ultraviolet radiation if outer envelope of the lamp is broken or punctured. Do not use where people will remain for more than a few minutes unless adequate shielding or other safety precautions are used. Certain lamps that will automatically extinguish when the outer envelope is broken or punctured are commercially available." This lamp complies with FDA radiation performance standard 21 CFR subchapter J. (USA:21 CFR 1040.30 Canada: SOR/DORS/80-381)
- Lamp contains mercury. Manage in Accord with Disposal Laws. See: [www.lamprecycle.org](http://www.lamprecycle.org) or 1-800-555-0050

## Dimensional drawing

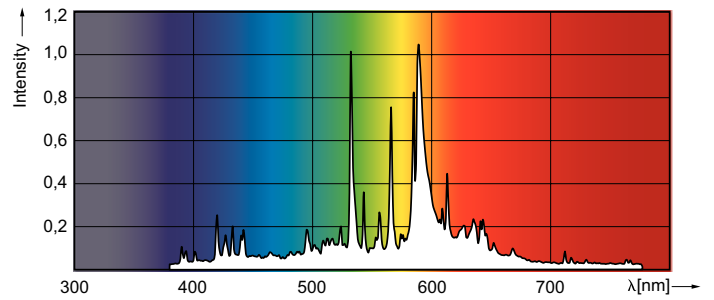
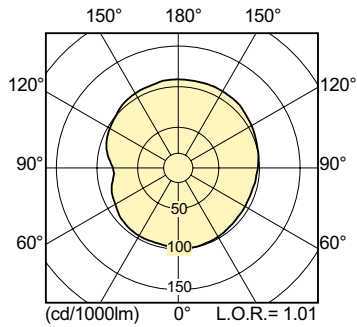


CPO-TW Xtra 140W/728 PGZ12

Product	D (max)	D	O	L	C (max)
CPO-TW 140W/728 White PGZ12	20 mm	19 mm	22 mm	66 mm	150 mm

# CosmoPolis CosmoWhite

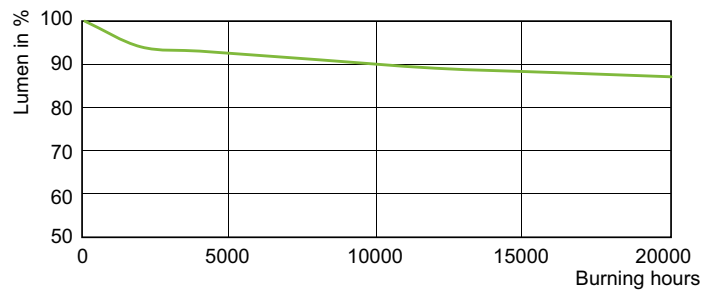
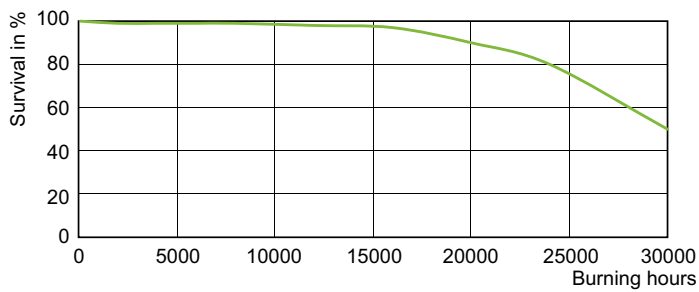
## Photometric data



CPO-TW Xtra 140 W /728

MASTER CosmoWhite CPO-TW Xtra 140 W /728

## Lifetime



CPO-TW Xtra 140 W Life Expectancy /728

CPO-TW Xtra 140 W Lumen Maintenance /728

