



# CosmoPolis CosmoWhite

## CPO-TW 90W/728 White PGZ12

Philips Cosmopolis Outdoor Lighting System simplifies outdoor lighting with the combination of a miniature lamp and an optimized electronic ballast system.

### Product data

General Information			
Base	PGZ12 [ PGZ12]	Chromaticity Coordinate X (Nom)	449
Operating Position	Universal [ Universal]	Chromaticity Coordinate Y (Nom)	412
Life to 5% Failures (Nom)	21500 h	Luminous Efficacy (rated) (Nom)	120 lm/W
Life To 10% Failures (Nom)	24000 h	Color Rendering Index (Min)	67
Life to 20% Failures (Nom)	27000 h	Color Rendering Index (Nom)	70
Life to 50% Failures (Nom)	32000 h	LLMF 2000 h Rated	94 %
ANSI Code HID	C188/E	LLMF 4000 h Rated	93 %
LSF 2000 h Rated	99 %	LLMF 6000 h Rated	93 %
LSF 4000 h Rated	99 %	LLMF 8000 h Rated	93 %
LSF 6000 h Rated	99 %	LLMF 12000 h Rated	92 %
LSF 8000 h Rated	99 %	LLMF 16000 h Rated	91 %
LSF 12000 h Rated	99 %	LLMF 20000 h Rated	90 %
LSF 16000 h Rated	99 %	Ratio Scotopic/Photopic Lumens	1.15
LSF 20000 h Rated	97 %		
LSF 24000 h Rated	90 %	Operating and Electrical	
LSF 30000 h Rated	63 %	Power (Rated) (Nom)	90.0 W
		Ignition Peak Voltage (Max)	5000 V
		Re-Ignition Time (Min) (Max)	900 s
		Ignition Time (Max)	30 s
		Voltage (Max)	98 V
		Voltage (Min)	86 V
Light Technical			
Color Code	728 [ CCT of 2800K]		
Luminous Flux (Rated) (Nom)	10800 lm		
Color Designation	White (WH)		

# CosmoPolis CosmoWhite

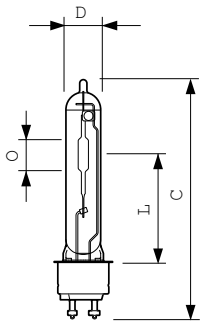
Voltage (Nom)	92 V
<b>Controls and Dimming</b>	
Dimmable	Yes
Run-Up Time 90% (Max)	4 min
<b>Mechanical and Housing</b>	
Bulb Finish	Clear (CL)
<b>Approval and Application</b>	
Energy Efficiency Label (EEL)	A+
Mercury (Hg) Content (Nom)	3.0 mg
Energy Consumption kWh/1000 h	99 kWh
<b>UV</b>	
Pet (Niosh) (Min)	8 h/500lx
Pet (Niosh) (Nom)	38 h/500lx

Damage Factor D/fc (Nom)	0.18
<b>Luminaire Design Requirements</b>	
Bulb Temperature (Max)	470 °C
Cap-Base Temperature (Max)	300 °C
<b>Product Data</b>	
Order product name	CPO-TW 90W/728 White PGZ12
EAN/UPC - Product	046677406042
Order code	406041
Numerator - Quantity Per Pack	1
Numerator - Packs per outer box	12
Material Nr. (12NC)	928093505105
Net Weight (Piece)	0.037 kg
ILCOS Code	MT-90/728-H-PGZ12-20/143

## Warnings and Safety

- R "WARNING: These lamps can cause serious skin burn and eye inflammation from short wave ultraviolet radiation if outer envelope of the lamp is broken or punctured. Do not use where people will remain for more than a few minutes unless adequate shielding or other safety precautions are used. Certain lamps that will automatically extinguish when the outer envelope is broken or punctured are commercially available." This lamp complies with FDA radiation performance standard 21 CFR subchapter J. (USA:21 CFR 1040.30 Canada: SOR/DORS/80-381)
- Lamp contains mercury. Manage in Accord with Disposal Laws. See: [www.lamprecycle.org](http://www.lamprecycle.org) or 1-800-555-0050

## Dimensional drawing

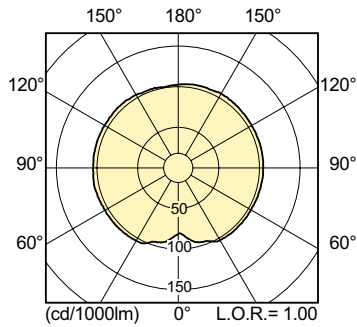


CPO-TW Xtra 90W/728 PGZ12

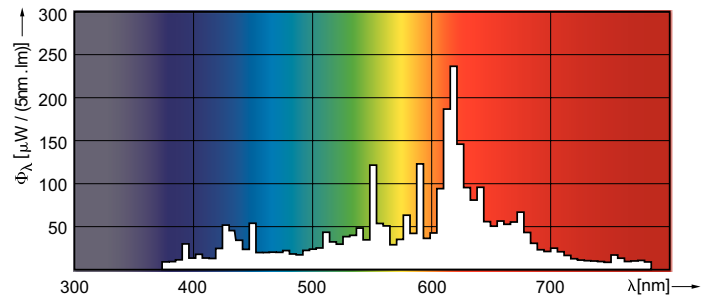
Product	D (max)	D	O	L	C (max)
CPO-TW 90W/728 White PGZ12	20 mm	19 mm	18 mm	66 mm	143 mm

# CosmoPolis CosmoWhite

## Photometric data

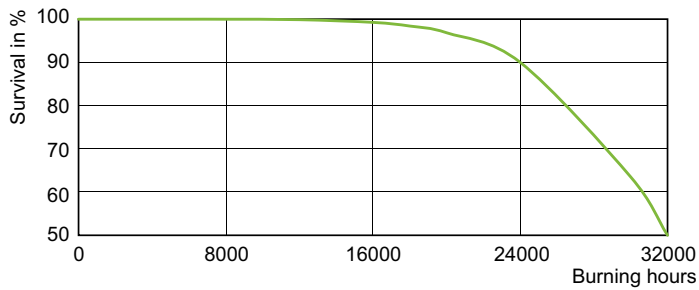


CPO-TW 90W

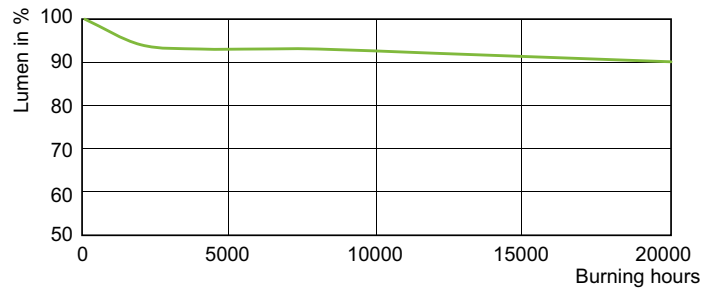


MASTER CosmoWhite CPO-TW Xtra 90W /728

## Lifetime



CPO-TW Xtra 90 W Life Expectancy /728



CPO-TW Xtra 90 W Lumen Maintenance /728

