



MASTERColour CDM-T

MASTERColour CDM-T 35W/842 G12 1CT/12

Range of single-ended, compact, high-efficiency, discharge lamps with a stable color over lifetime and a crisp, sparkling light

Product data

General Information		Color Rendering Index (Nom)	
Cap-Base	G12 [G12]		84
Operating Position	UNIVERSAL [Universal]	Operating and Electrical	
Life to 5% Failures (Nom)	9000 h	Power (Rated) (Nom)	39 W
Life To 10% Failures (Nom)	10000 h	Lamp Current Run-Up (Max)	0.720 A
Life to 20% Failures (Nom)	11000 h	Ignition Supply Voltage (Max)	198 V
Life to 50% Failures (Nom)	12000 h	Ignition Peak Voltage (Max)	5000 V
ANSI Code HID	-	Ignition Supply Voltage (Min)	198 V
Light Technical		Ignition Peak Voltage (Min)	3500 V
Color Code	842 [CCT of 4200K]	Re-Ignition Time (Min) (Max)	15 min
Luminous Flux (Rated) (Nom)	3000 lm	Ignition Time (Max)	30 s
Color Designation	Cool White (CW)	Voltage (Max)	93 V
Lumen Maintenance 10000 h (Nom)	70 %	Voltage (Min)	77 V
Lumen Maintenance 2000 h (Min)	80 %	Voltage (Nom)	85 V
Lumen Maintenance 2000 h (Nom)	90 %	Controls and Dimming	
Lumen Maintenance 5000 h (Min)	75 %	Dimmable	No
Lumen Maintenance 5000 h (Nom)	85 %	Run-Up Time 90% (Max)	3 min
Chromaticity Coordinate X (Nom)	0.370	Mechanical and Housing	
Chromaticity Coordinate Y (Nom)	0.367	Bulb Finish	Clear
Correlated Color Temperature (Nom)	4200 K		
Luminous Efficacy (rated) (Nom)	77 lm/W		

MASTERCcolour CDM-T

Approval and Application

Energy Efficiency Label (EEL)	A
Mercury (Hg) Content (Nom)	2.7 mg
Energy Consumption kWh/1000 h	43 kWh

UV

Pet (Niosh) (Min)	8 h/500lx
Damage Factor D/fc (Max)	0.5

Luminaire Design Requirements

Bulb Temperature (Max)	500 °C
Cap-Base Temperature (Max)	280 °C
Pinch Temperature (Max)	350 °C

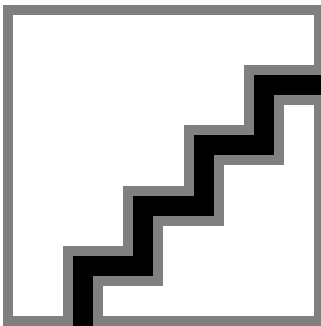
Product Data

Full product code	871150021126215
Order product name	MASTERCcolour CDM-T 35W/842 G12 1CT/12
EAN/UPC - Product	8711500211262
Order code	928094305125
Numerator - Quantity Per Pack	1
Numerator - Packs per outer box	12
Material Nr. (12NC)	928094305125
Net Weight (Piece)	28.000 g
ILCOS Code	MT/UB-35/842-H-G12-20/90

Warnings and Safety

- Use only in totally enclosed luminaire, even during testing (IEC61167, IEC 62035, IEC60598)
- The luminaire must be able to contain hot lamp parts if the lamp ruptures
- Control gear must include end-of-life protection (IEC61167, IEC 62035)
- Lamps may use electronic or electromagnetic control gear, except 35W/942 and 20W lamps, which must use electronic control gear.
- A lamp breaking is extremely unlikely to have any impact on your health. If a lamp breaks, ventilate the room for 30 minutes and remove the parts, preferably with gloves. Put them in a sealed plastic bag and take it to your local waste facilities for recycling. Do not use a vacuum cleaner.

Dimensional drawing



CDM-T 35W/842 G12

Product	D (max)	D	O	L (min)	L (max)	L	C (max)
MASTERCcolour CDM-T 35W/842 G12 1CT/12	20 mm	0.75 in	5 mm	55 mm	57 mm	56 mm	103 mm

MASTERCLOUR CDM-T

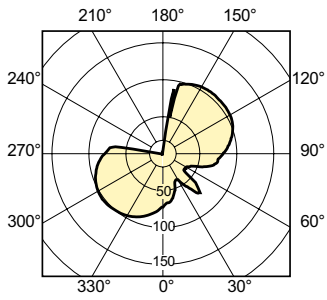
Photometric data



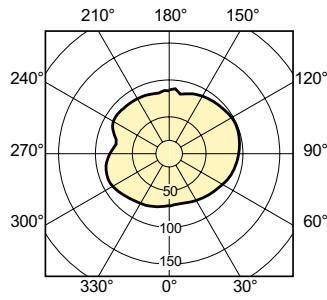
CDM-T 35W /842 lamp up



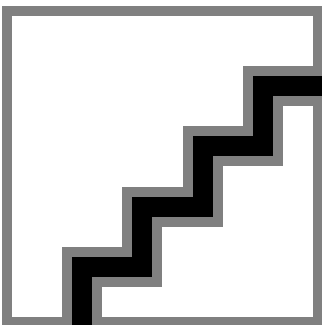
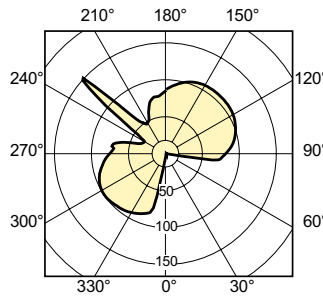
CDM-T 35W /842 lamp horizontal



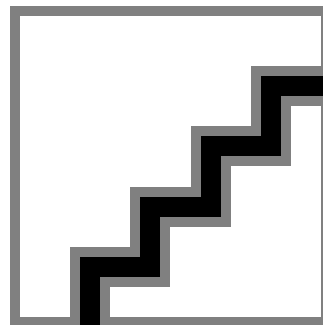
CDM-T 35W /842 lamp 45



CDM-T 35W /842 lamp 45



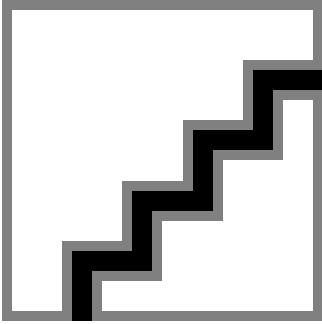
CDM-T 35W /842 lamp down



MASTERColour CDM-T 35W /842

MASTERColour CDM-T

Lifetime



CDM-T 35W Life Expectancy /830, /842 G12

