



MASTER SDW-T

MASTER SDW-T 35W/825 PG12-1 1SL/12

Range of high-efficiency, discharge lamps with warm color to be used in open luminaires

Product data

General Information	
Cap base	PG12-1 [PG12-1]
Operating position	UNIVERSAL [Any or Universal (U)]
Life to 5% failures (nom.)	8000 h
Life to 20% failures (nom.)	12000 h
Life to 50% failures (nom.)	15000 h
Useful life (nom.)	10000 h
ANSI code HID	-
System description	High Voltage [200-250V (HV)]
Light Technical	
Colour code	825 [CCT of 2,500 K]
Luminous flux (rated) (nom.)	1300 lm
Colour designation	Golden White
Lumen maintenance 2,000 hours (nom.)	95 %
Lumen maintenance 5,000 hours (nom.)	90 %
Chromaticity coordinate X (nom.)	479
Chromaticity coordinate Y (nom.)	417
Correlated colour temperature (nom.)	2500 K
Luminous efficacy (rated) (nom.)	40 lm/W
Color rendering index (nom.)	83
Operating and Electrical	
Power (Rated) (Nom)	33.0 W
Lamp current run-up (max.)	1.0 A

Lamp current (EM) (nom.)	0.48 A
Ignition peak voltage (max.)	5000 V
Ignition supply voltage (min.)	205 V
Voltage (Max)	106 V
Voltage (Min)	86 V
Voltage (Nom)	96 V
Controls and Dimming	
Dimmable	No
Mechanical and Housing	
Bulb finish	Clear (CL)
Bulb material	Soft Glass
Approval and Application	
Energy efficiency label (EEL)	B
Mercury (Hg) content (nom.)	3.8 mg
Energy Consumption kWh/1000 h	36 kWh
Luminaire Design Requirements	
Bulb temperature (max.)	350 °C
Cap base temperature (max.)	120 °C
Product Data	
Full product code	871150073402015

MASTER SDW-T

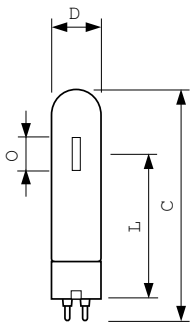
Order product name	MASTER SDW-T 35W/825 PG12-1 1SL/12
EAN/UPC – product	8711500734020
Order code	73402015
Numerator – quantity per pack	1
Numerator – packs per outer box	12

Material no. (12NC)	928153809230
Net weight (piece)	0.048 kg
ILCOS Code	STH-35-H/E-PG12

Warnings and Safety

- Use only with dedicated Philips control gear
- A lamp breaking is extremely unlikely to have any impact on your health. If a lamp breaks, ventilate the room for 30 minutes and remove the parts, preferably with gloves. Put them in a sealed plastic bag and take it to your local waste facilities for recycling. Do not use a vacuum cleaner.

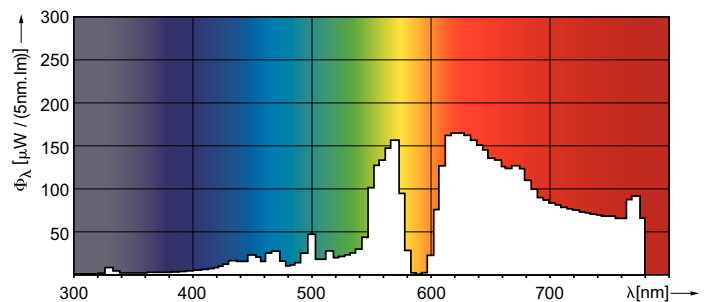
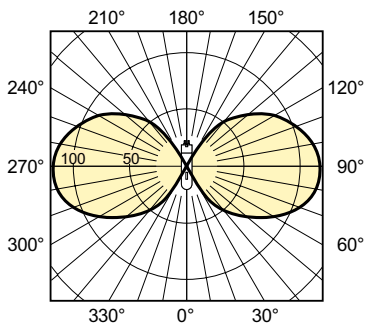
Dimensional drawing



SDW-T 35W/825 PG12-1

Product	D (max)	O	L	C (max)
MASTER SDW-T 35W/825 PG12-1 1SL/12	32 mm	12.7 mm	91 mm	149 mm

Photometric data



MASTER SDW-T

Lifetime

