



MasterColor CDM-Tm Elite Mini GU6.5

MASTERColor CDM-Tm Elite Mini 35W/930 GU6.5

The Mini MasterColor CDM-Tm is ideal for smaller luminaires, perfect for a minimalist design. The Mini MasterColor lamp and ballast system lasts longer than standard halogen PAR38 lamps and consumes less energy. The 'system' includes the MiniMasterColor 3000K lamp, the eVision electronic ballast and a twist & lock lamp base. This system design is ideal for accent and display lighting in specialty retail and architectural outdoor applications.

Product data

General Information	
Base	GU6.5 [GU6.5]
Operating Position	Universal [Universal]
Life to 5% Failures (Nom)	12000 h
Life To 10% Failures (Nom)	14000 h
Life to 20% Failures (Nom)	16000 h
Life to 50% Failures (Nom)	20000 h
ANSI Code HID	C130/E
Light Technical	
Color Code	930 [CCT of 3000K]
Luminous Flux (Rated) (Min)	3600 lm
Luminous Flux (Rated) (Nom)	4000 lm
Color Designation	Warm White (WW)
Lumen Maintenance 1000 h (Nom)	95 %
Lumen Maintenance 12000 h (Nom)	80 %
Lumen Maintenance 2000 h (Nom)	93 %
Lumen Maintenance 4000 h (Nom)	90 %
Chromaticity Coordinate X (Nom)	0.435

Chromaticity Coordinate Y (Nom)	0.396
Correlated Color Temperature (Nom)	3000 K
Luminous Efficacy (rated) (Nom)	102 lm/W
Color Rendering Index (Min)	87
Color Rendering Index (Nom)	90
Operating and Electrical	
Power (Rated) (Nom)	39.0 W
Lamp Current Run-Up (Max)	1 A
Re-Ignition Time (Min) (Max)	15 min
Ignition Time (Max)	30 s
Voltage (Max)	95 V
Voltage (Min)	79 V
Voltage (Nom)	87 V
Controls and Dimming	
Dimmable	No
Run-Up Time 90% (Max)	3 min

MasterColor CDM-Tm Elite Mini GU6.5

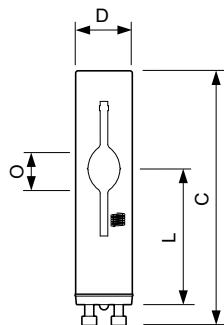
Mechanical and Housing	
Bulb Finish	Clear (CL)
Approval and Application	
Energy Efficiency Label (EEL)	A+
Mercury (Hg) Content (Nom)	4.7 mg
Energy Consumption kWh/1000 h	43 kWh
UV	
Pet (Niosh) (Min)	8 h/500lx
Damage Factor D/fc (Max)	0.4
Luminaire Design Requirements	
Bulb Temperature (Max)	450 °C

Cap-Base Temperature (Max)	250 °C
Product Data	
Order product name	MASTERColor CDM-Tm Elite Mini 35W/930 GU6.5
EAN/UPC - Product	046677418793
Order code	418798
Numerator - Quantity Per Pack	1
Numerator - Packs per outer box	12
Material Nr. (12NC)	928187405115
Net Weight (Piece)	0.008 kg
ILCOS Code	MT/UB-35/930-H-GU6.5-13.3/52

Warnings and Safety

- R "WARNING: These lamps can cause serious skin burn and eye inflammation from short wave ultraviolet radiation if outer envelope of the lamp is broken or punctured. Do not use where people will remain for more than a few minutes unless adequate shielding or other safety precautions are used. Certain lamps that will automatically extinguish when the outer envelope is broken or punctured are commercially available." This lamp complies with FDA radiation performance standard 21 CFR subchapter J. (USA:21 CFR 1040.30 Canada: SOR/DORS/80-381)
- Lamp contains mercury. Manage in Accord with Disposal Laws. See: www.lamprecycle.org or 1-800-555-0050

Dimensional drawing

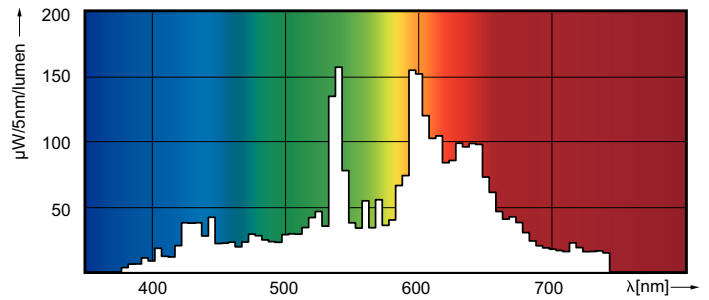
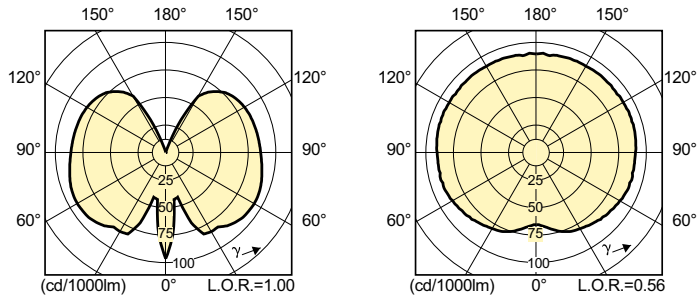


CDM-Tm 35W/930 GU6.5

Product	D (max)	D	O	L (min)	L (max)	L	C (max)
MASTERColor CDM-Tm Elite Mini 35W/930 GU6.5	13.3 mm	0.5 in	4.7 mm	28 mm	32 mm	30 mm	56.7 mm

MasterColor CDM-Tm Elite Mini GU6.5

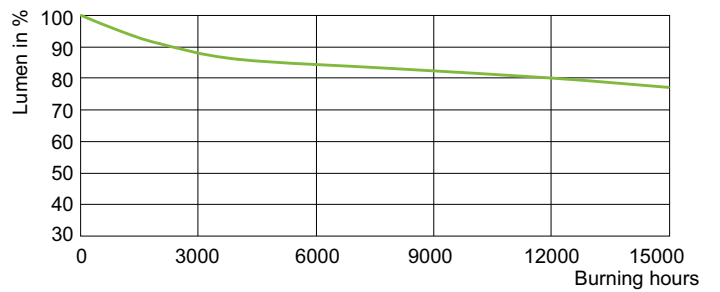
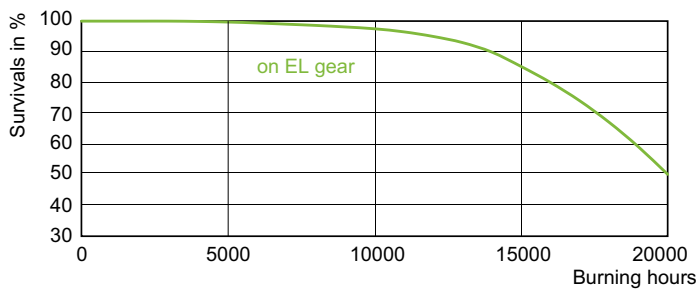
Photometric data



CDM-Tm 35W /930 GU6.5

MASTERColour CDM-Tm Mini 35W /930 GU6.5

Lifetime



CDM-Tm Elite 35W, 50W Life Expectancy /930 GU6.5 T13.3

MASTERColour CDM-Tm Elite 35W Lumen Maintenance /930 GU6.5 T13.3

