

PHILIPS

Lighting



MASTERColour CDM-Rm Mini

CDM-Rm Elite Mini 20W/830 GX10 MR16 10D

The easy way to reflect more sparkleThe new Philips MASTERColour CDM-R mini brings trusted MASTERColour quality to 50mm reflector lamps with the superior output and colour stability to create the right atmosphere to match your customers' retail brand and positioning

Product data

General Information	
Cap base	GX10 [GX10]
Operating position	UNIVERSAL [Any/Universal]
Life to 5% failures (nom.)	9000 h
Life to 10% failures (nom.)	10000 h
Life to 20% failures (nom.)	12000 h
Life to 50% failures (nom.)	15000 h
ANSI code HID	C156/O
Switching cycle	1350X

Light Technical	
Colour code	830 [CCT of 3,000 K]
Beam Angle (Nom)	10 °
Beam angle technical	9 °
Beam angle technical	11 °
Beam angle technical	7 °
Luminous flux (rated) (min.)	900 lm
Luminous flux (rated) (nom.)	1000 lm
Luminous intensity (min.)	10900 cd
Luminous intensity (nom.)	14500 cd

Beam description	-
Lumen maintenance 12,000 hours (nom.)	75 %
Lumen maintenance 2,000 hours (nom.)	90 %
Lumen maintenance 4,000 hours (nom.)	85 %
Chromaticity coordinate X (nom.)	0.439
Chromaticity coordinate Y (nom.)	0.403
Correlated colour temperature (nom.)	3000 K
Luminous efficacy (rated) (nom.)	50 lm/W
Color rendering index (min.)	81
Color rendering index (nom.)	84
LLMF at end of nominal lifetime (nom.)	70 %
Luminous Flux in 90° Cone (Rated)	900 lm

Operating and Electrical	
Power (Rated) (Nom)	20.0 W
Re-ignition time (min.) (max.)	15 min
Warm-up time to 60% light (nom.)	120 s
Ignition time (max.)	30 s
Voltage (Max)	100 V
Voltage (Min)	90 V

MASTERC colour CDM-Rm Mini

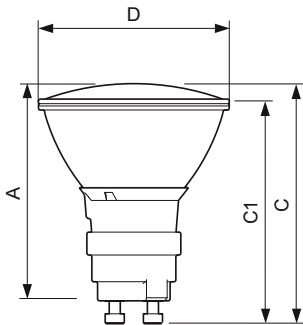
Voltage (Nom)	95 V
Controls and Dimming	
Dimmable	no
Run-up time 90% (max.)	3 min
Mechanical and Housing	
Bulb finish	- [-]
Approval and Application	
Energy efficiency label (EEL)	A
Mercury (Hg) content (nom.)	3,5 mg
Energy Consumption kWh/1000 h	22 kWh
UV	
PET (NIOSH) (min.)	8 h/500lx
Damage factor D/fc (max.)	0.4

Luminaire Design Requirements	
Reflector neck temperature (max.)	215 °C
Product Data	
Full product code	871829120274500
Order product name	CDM-Rm Elite Mini 20W/830 GX10 MR16 10D
EAN/UPC – product	8718291202745
Order code	20274500
Local Code	20CDMRM83010
Numerator – quantity per pack	1
Numerator – packs per outer box	12
Material no. (12NC)	928191005331
Net weight (piece)	0.047 kg
ILCOS Code	MRS/UB-20/830-H-GX10-51/54.5/10

Warnings and Safety

- Use only with electronic control gear
- Control gear must include end-of-life protection (IEC61167, IEC 62035)

Dimensional drawing

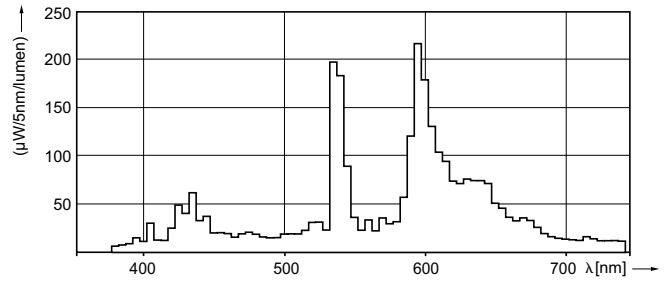
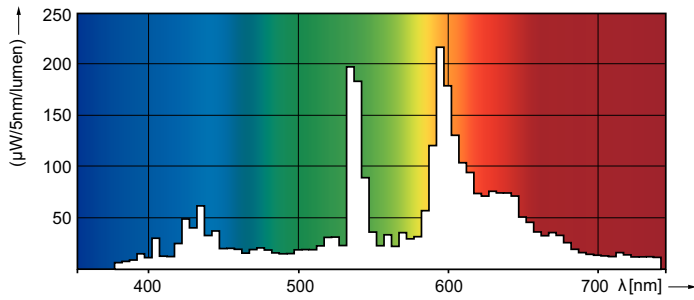


CDM-Rm 20W/830 GX10 MR16 10D

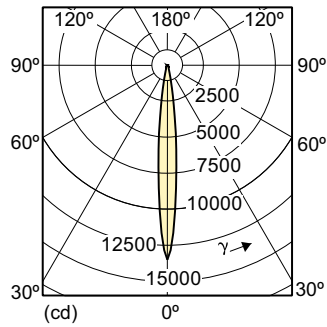
Product	D (max)	D	C (max)	C	C1 (max)	A (max)
CDM-Rm Elite Mini 20W/830 GX10 MR16 10D	51 mm	50 mm	65.4 mm	62.75 mm	60.9 mm	59 mm

MASTERColour CDM-Rm Mini

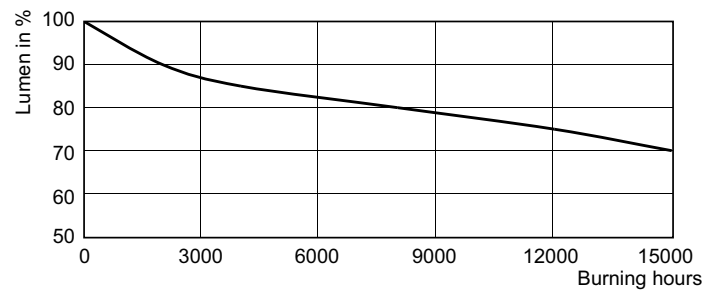
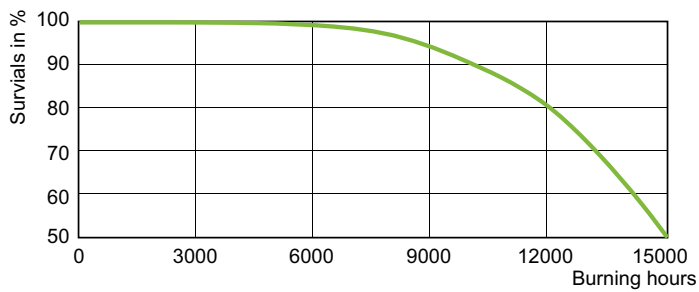
Photometric data



MASTERColour CDM-R Mini /830



Lifetime



MASTERCcolour CDM-Rm Mini

