



MASTERColour CDM-Rm Elite Mini

MASTERColour CDM-Rm Elite Mini 20W/830 GX10 MR16 25D

Mini, very high-efficiency Ceramic Metal Halide discharge reflector lamp producing crisp white sparkling light with high colour rendering

Product data

General Information	
Cap base	GX10 [GX10]
Operating position	UNIVERSAL [Any/Universal]
Life to 5% failures (nom.)	9000 h
Life to 10% failures (nom.)	10000 h
Life to 20% failures (nom.)	12000 h
Life to 50% failures (nom.)	15000 h
ANSI code HID	C156/O
Switching cycle	1350X
Light Technical	
Colour code	830 [CCT of 3,000 K]
Beam Angle (Nom)	25°
Beam angle technical	22°
Beam angle technical	27.5°
Beam angle technical	16.5°
Luminous flux (rated) (min.)	900 lm
Luminous flux (rated) (nom.)	1000 lm
Luminous intensity (min.)	3100 cd
Luminous intensity (nom.)	4100 cd
Beam description	-

Lumen maintenance 12,000 hours (nom.)	75 %
Lumen maintenance 2,000 hours (nom.)	90 %
Lumen maintenance 4,000 hours (nom.)	85 %
Chromaticity coordinate X (nom.)	0.439
Chromaticity coordinate Y (nom.)	0.403
Correlated colour temperature (nom.)	3000 K
Luminous efficacy (rated) (nom.)	50 lm/W
Color rendering index (min.)	81
Color rendering index (nom.)	84
LLMF at end of nominal lifetime (nom.)	70 %
Luminous Flux in 90° Cone (Rated)	900 lm

Operating and Electrical	
Power (Rated) (Nom)	20 W
Re-ignition time (min.) (max.)	15 min
Warm-up time to 60% light (nom.)	120 s
Ignition time (max.)	30 s
Voltage (Max)	100 V
Voltage (Min)	90 V
Voltage (Nom)	95 V

MASTERC colour CDM-Rm Elite Mini

Controls and Dimming

Dimmable	no
Run-up time 90% (max.)	3 min

Approval and Application

Energy efficiency label (EEL)	A
Mercury (Hg) content (nom.)	3.5 mg
Energy Consumption kWh/1000 h	22 kWh

UV

PET (NIOSH) (min.)	8 h/500lx
Damage factor D/fc (max.)	0.4

Luminaire Design Requirements

Reflector neck temperature (max.)	215 °C
-----------------------------------	--------

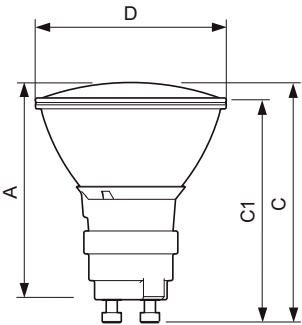
Product Data

Full product code	871829120301800
Order product name	MASTERC colour CDM-Rm Elite Mini 20W/830 GX10 MR16 25D
EAN/UPC – product	8718291203018
Order code	20301800
Local Code	20CDMRM83025
Numerator – quantity per pack	1
Numerator – packs per outer box	12
Material no. (I2NC)	928191105331
Net weight (piece)	0.047 kg
ILCOS Code	MRS/UB-20/830-H-GX10-51/54.5/25

Warnings and Safety

- Use only with electronic control gear
- Control gear must include end-of-life protection (IEC61167, IEC 62035)

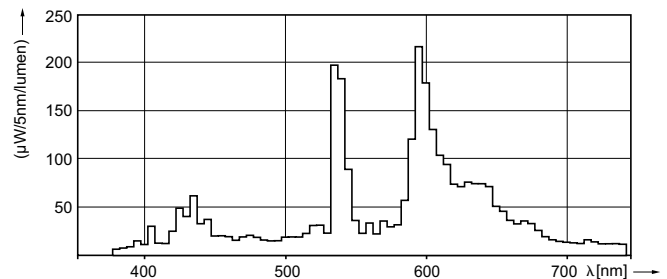
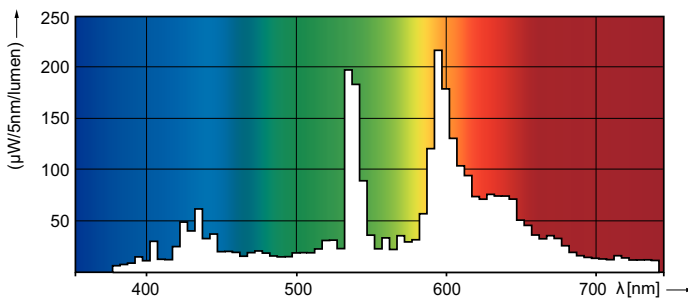
Dimensional drawing



CDM-Rm 20W/830 GX10 MR16 25D

Product	D (max)	D	C (max)	C	C1 (max)	A (max)
CDM-Rm Elite Mini 20W/830 GX10 MR16 25D	51 mm	50 mm	65.4 mm	62.75 mm	60.9 mm	59 mm

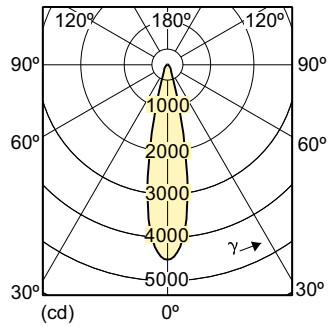
Photometric data



MASTERC colour CDM-R Mini /830

MASTERC colour CDM-Rm Elite Mini

Photometric data



Lifetime

