



MASTERCcolour CDM-T Elite

MASTERCcolour CDM-T Elite 35W/942 G12 1CT

Single-ended, high-efficiency Ceramic Metal Halide discharge lamp

Product data

General Information		Colour Rendering Index,horiz (Min)	
Cap base	G12 [G12]		86
Burning Position	UNIVERSAL [Any/Universal]	Colour Rendering Index,horiz (Nom)	89
Life to 5% failures (nom.)	9000 h	Operating and Electrical	
Life to 10% failures (nom.)	10000 h	Power (Rated) (Nom)	39.0 W
Life to 20% failures (nom.)	12000 h	Lamp current (EM) (nom.)	0.51 A
Life to 50% failures (nom.)	15000 h	Ignition supply voltage (min.)	198 V
ANSI code HID	-	Re-ignition time (min.) (max.)	15 min
		Ignition time (max.)	30 s
		Voltage (Max)	96 V
		Voltage (Min)	84 V
		Voltage (Nom)	90 V
		Controls and Dimming	
		Dimmable	no
		Run-up time 90% (max.)	3 min
		Mechanical and Housing	
		Bulb finish	Clear (CL)
		Approval and Application	
		Energy efficiency label (EEL)	A+
		Mercury (Hg) content (nom.)	4.7 mg
Light Technical			
Colour Code	942 [CCT of 4,200 K]		
Lamp Luminous Flux (Nom)	3850 lm		
Colour Designation	Cool White (CW)		
Lumen maintenance 1,000 hours (nom.)	89 %		
Lumen maintenance 12,000 hours (nom.)	71 %		
Lumen maintenance 10,000 hours (nom.)	73 %		
Lumen maintenance 2,000 hours (nom.)	84 %		
Lumen maintenance 4,000 hours (nom.)	80 %		
Lumen maintenance 5,000 hours (nom.)	79 %		
Chromaticity coordinate X (nom.)	0.366		
Chromaticity coordinate Y (nom.)	0.364		
Colour Temperature, horizontal (Nom)	4200 K		
Lamp Luminous Efficacy EM (Nom)	98 lm/W		

MASTERColour CDM-T Elite

Energy Consumption kWh/1000 h	43 kWh
-------------------------------	--------

UV

PET (NIOSH) (min.)	8 h/500lx
Damage factor D/fc (max.)	0.4

Luminaire Design Requirements

Bulb temperature (max.)	500 °C
Cap base temperature (max.)	250 °C
Pinch temperature (max.)	350 °C

Product Data

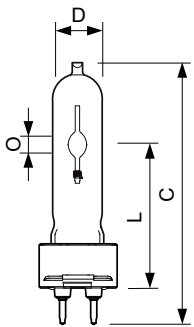
Full product code	871869648453100
-------------------	-----------------

Order product name	MASTERColour CDM-T Elite 35W/942 G12 ICT
EAN/UPC – product	8718696484531
Order code	928193605129
Numerator – quantity per pack	1
Numerator – packs per outer box	12
Material no. (12NC)	928193605129
Net weight (piece)	28.000 g
ILCOS Code	MT/UB-35/942-H-G12-20/90

Warnings and Safety

- Use only in totally enclosed luminaire, even during testing (IEC61167, IEC 62035, IEC60598)
- The luminaire must be able to contain hot lamp parts if the lamp ruptures
- Use only with electronic control gear. 35W & 70W lamps may also use electromagnetic gear.
- Control gear must include end-of-life protection (IEC61167, IEC 62035)
- A lamp breaking is extremely unlikely to have any impact on your health. If a lamp breaks, ventilate the room for 30 minutes and remove the parts, preferably with gloves. Put them in a sealed plastic bag and take it to your local waste facilities for recycling. Do not use a vacuum cleaner.

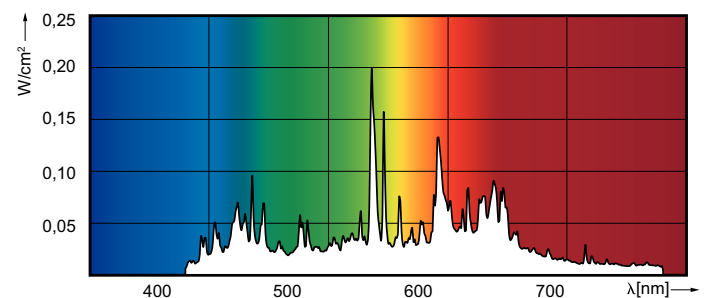
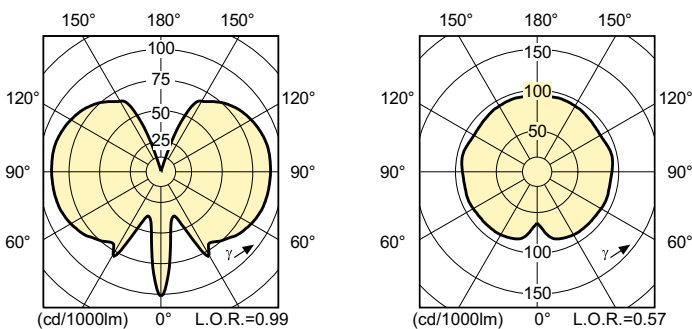
Dimensional drawing



CDM-T Elite 35W/942 G12

Product	D (max)	O	L (min)	L (max)	L	C (max)
MASTERColour CDM-T Elite 35W/942 G12 ICT	20 mm	5.2 mm	55 mm	57 mm	56 mm	103 mm

Photometric data



MASTERColour CDM-T Elite

Lifetime

