



MASTERCcolour CDM-T Elite

MASTERC CDM-T Elite 35W/942 G12 1CT

Single-ended, high-efficiency Ceramic Metal Halide discharge lamp

Warnings and Safety

- Use only in totally enclosed luminaire, even during testing (IEC61167, IEC 62035, IEC60598)
- Use only in totally enclosed luminaire, even during testing (IEC61167, IEC 62035, IEC60598)
- The luminaire must be able to contain hot lamp parts if the lamp ruptures
- The luminaire must be able to contain hot lamp parts if the lamp ruptures
- Use only with electronic control gear. 35W & 70W lamps may also use electromagnetic gear.
- Use only with electronic control gear. 35W & 70W lamps may also use electromagnetic gear.
- Control gear must include end-of-life protection (IEC61167, IEC 62035)
- Control gear must include end-of-life protection (IEC61167, IEC 62035)
- A lamp breaking is extremely unlikely to have any impact on your health. If a lamp breaks, ventilate the room for 30 minutes and remove the parts, preferably with gloves. Put them in a sealed plastic bag and take it to your local waste facilities for recycling. Do not use a vacuum cleaner.
- A lamp breaking is extremely unlikely to have any impact on your health. If a lamp breaks, ventilate the room for 30 minutes and remove the parts, preferably with gloves. Put them in a sealed plastic bag and take it to your local waste facilities for recycling. Do not use a vacuum cleaner.

Product data

General Information		Chromaticity Coordinate X (Nom)		0.366
Cap-Base	G12	Chromaticity Coordinate Y (Nom)		0.364
Operating Position	UNIVERSAL [Any or Universal (U)]	Correlated Color Temperature (Nom)		4200 K
Life to 50% Failures (Nom)	15,000 hour(s)	Luminous Efficacy (rated) (Nom)		98 lm/W
Light Technical		Color rendering index (CRI)		90
Color Code	942 [CCT of 4200K]	Arc Length O (Nom)		5.2 mm
Color Designation	Cool White (CW)			

MASTERC colour CDM-T Elite

Operating and Electrical

Power Consumption	39.1 W
Voltage (Nom)	90 V
Voltage (Nom)	90 V

Controls and Dimming

Dimmable	No
----------	----

Mechanical and Housing

Bulb Finish	Clear
Bulb Shape	T19

Approval and Application

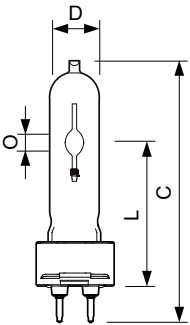
Mercury (Hg) Content (Nom)	4.9 mg
----------------------------	--------

Energy Consumption kWh/1000 h	43 kWh
-------------------------------	--------

Product Data

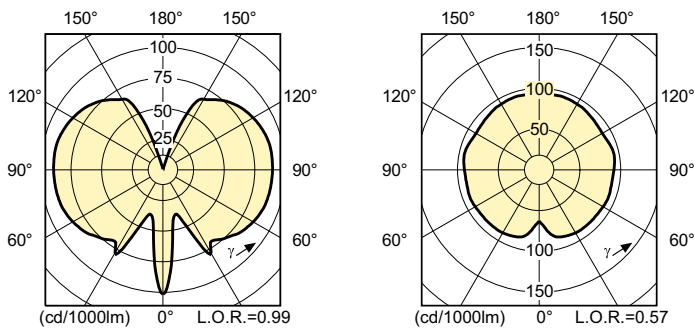
Order product name	MASTERC CDM-T Elite 35W/942 G12 1CT
Full product name	MASTERC CDM-T Elite 35W/942 G12 1CT
Full product code	871869648453100
Order code	928193605129
Material Nr. (12NC)	928193605129
Numerator - Quantity Per Pack	1
EAN/UPC - Product/Case	8718696484531
Numerator - Packs per outer box	12
EAN/UPC - Case	8718696484548

Dimensional drawing

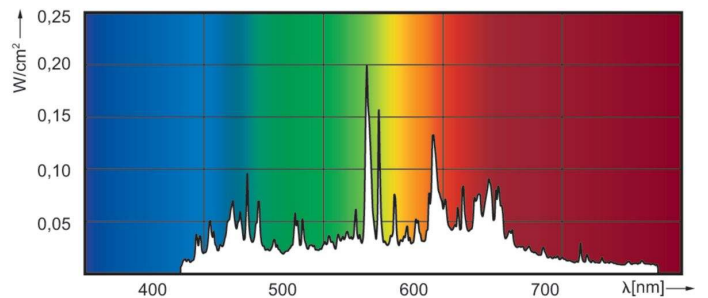


Product	D (max)	O	L (min)	L (max)	L	C (max)
MASTERC CDM-T Elite 35W/942 G12 1CT	20 mm	5.2 mm	55 mm	57 mm	56 mm	103 mm

Photometric data



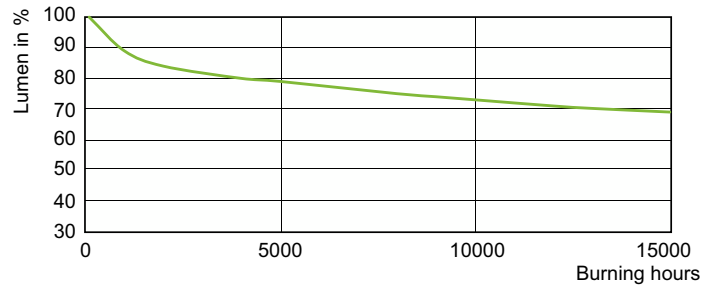
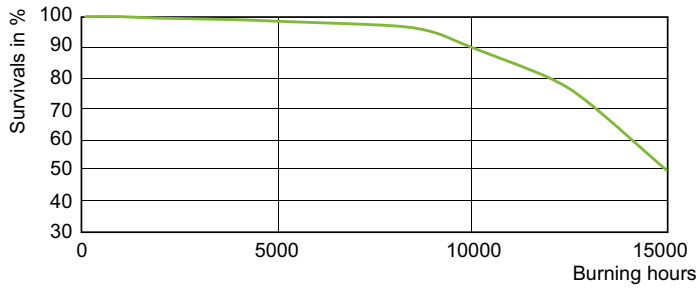
Light Distribution Diagram - MASTERC CDM-T Elite 35W/942 G12 1CT



Spectral Power Distribution Colour - MASTERC CDM-T Elite 35W/942 G12 1CT

MASTERC colour CDM-T Elite

Lifetime



Life Expectancy Diagram - MASTERC CDM-T Elite 35W/942 G12 1CT

Lumen Maintenance Diagram - MASTERC CDM-T Elite 35W/942 G12 1CT

