



# MASTERColour CDM-TC Elite

## MASTERColour CDM-TC Elite 35W/942 G8.5 1CT

Single-ended, compact size, high-efficiency Ceramic Metal Halide discharge lamp

### Product data

General Information		Colour Rendering Index,horiz (Nom)	
Cap base	G8.5 [ G8.5]		90
Burning Position	UNIVERSAL [ Any/Universal]	Operating and Electrical	
Life to 5% failures (nom.)	9000 h	Power (Rated) (Nom)	39.0 W
Life to 10% failures (nom.)	10000 h	Ignition supply voltage (min.)	198 V
Life to 20% failures (nom.)	12000 h	Re-ignition time (min.) (max.)	15 min
Life to 50% failures (nom.)	15000 h	Ignition time (max.)	30 s
ANSI code HID	-	Voltage (Max)	97 V
		Voltage (Min)	85 V
		Voltage (Nom)	91 V
Light Technical		Controls and Dimming	
Colour Code	942 [ CCT of 4,200 K]	Dimmable	no
Lamp Luminous Flux (Min)	3420 lm	Run-up time 90% (max.)	3 min
Lamp Luminous Flux (Nom)	3800 lm	Mechanical and Housing	
Colour Designation	Cool White (CW)	Bulb finish	Clear (CL)
Lumen maintenance 12,000 hours (nom.)	71 %	Approval and Application	
Lumen maintenance 10,000 hours (nom.)	73 %	Energy efficiency label (EEL)	A+
Lumen maintenance 2,000 hours (nom.)	84 %	Mercury (Hg) content (nom.)	4.7 mg
Lumen maintenance 5,000 hours (nom.)	79 %	Energy Consumption kWh/1000 h	43 kWh
Chromaticity coordinate X (nom.)	0.371		
Chromaticity coordinate Y (nom.)	0.366		
Colour Temperature, horizontal (Nom)	4200 K		
Lamp Luminous Efficacy EM (Nom)	97 lm/W		
Colour Rendering Index,horiz (Min)	87		

# MASTERColour CDM-TC Elite

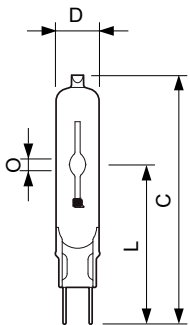
UV	
PET (NIOSH) (min.)	8 h/500lx
Damage factor D/fc (max.)	0.4
Luminaire Design Requirements	
Bulb temperature (max.)	500 °C
Pinch temperature (max.)	300 °C
Product Data	
Full product code	871869648469200
Order product name	MASTERColour CDM-TC Elite 35W/942 G8.5 1CT

EAN/UPC – product	8718696484692
Order code	928193805129
Numerator – quantity per pack	1
Numerator – packs per outer box	12
Material no. (12NC)	928193805129
Net weight (piece)	9.000 g
ILCOS Code	MT/UB-35/942-H-G8.5-17/85

## Warnings and Safety

- Use only in totally enclosed luminaire, even during testing (IEC61167, IEC 62035, IEC60598)
- The luminaire must be able to contain hot lamp parts if the lamp ruptures
- Use only with electronic control gear
- Control gear must include end-of-life protection (IEC61167, IEC 62035)
- A lamp breaking is extremely unlikely to have any impact on your health. If a lamp breaks, ventilate the room for 30 minutes and remove the parts, preferably with gloves. Put them in a sealed plastic bag and take it to your local waste facilities for recycling. Do not use a vacuum cleaner.

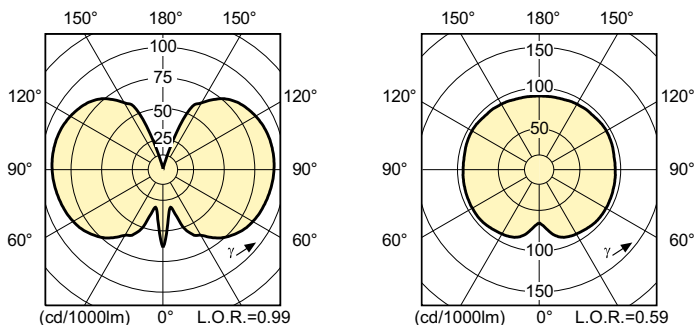
## Dimensional drawing



CDM-TC Elite 35W/942 G8.5

Product	D (max)	O	L (min)	L (max)	L	C (max)
MASTERColour CDM-TC Elite 35W/942 G8.5 1CT	15 mm	5.2 mm	51 mm	53 mm	52 mm	85 mm

## Photometric data



# MASTERColour CDM-TC Elite

## Lifetime

