



MASTERColour CDM-TC 精锐型

MASTERC CDM-TC Elite 35W/942 G8.5 1CT

单端、外型紧凑且高效的陶瓷金卤放电光源

安全提示

- Use only in totally enclosed luminaire, even during testing (IEC61167, IEC 62035, IEC60598)
- The luminaire must be able to contain hot lamp parts if the lamp ruptures
- Use only with electronic control gear
- Control gear must include end-of-life protection (IEC61167, IEC 62035)
- A lamp breaking is extremely unlikely to have any impact on your health. If a lamp breaks, ventilate the room for 30 minutes and remove the parts, preferably with gloves. Put them in a sealed plastic bag and take it to your local waste facilities for recycling. Do not use a vacuum cleaner.

产品数据

一般信息	
底盖	G8.5
操作位置	UNIVERSAL [任意或通用 (U)]
50% 故障条件下的使用寿命 (标称)	15,000 小时

灯技术	
颜色代码	942 [CCT of 4200K]
颜色名称	冷白色 (CW)
色度坐标 X (标称)	0.371
色度坐标 Y (标称)	0.366
相关色温 (标称)	4200 K
光效 (额定) (标称)	97 lm/W
显色指数 (CRI)	90
弧长 O (标称)	5.2 mm

操作和电气	
功耗	39.1 W
电压 (标称)	91 V
电压 (标称)	91 V

控制和调光	
可调光	否

机械和外壳	
灯泡外观	透明
灯泡外形	T14 [T 14 毫米]

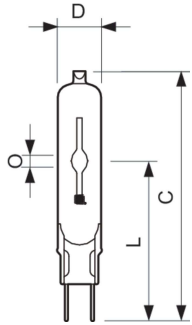
审批和申请	
汞 (Hg) 含量 (标称)	4.9 mg

MASTERC colour CDM-TC 精锐型

能耗 kWh/1000 h	43 kWh
产品数据	
订单产品名称	MASTERC CDM-TC Elite 35W/942 G8.5 1CT
完整的产品名称	MASTERC CDM-TC Elite 35W/942 G8.5 1CT
完整产品代码	871869648469200
订购代码	928193805129

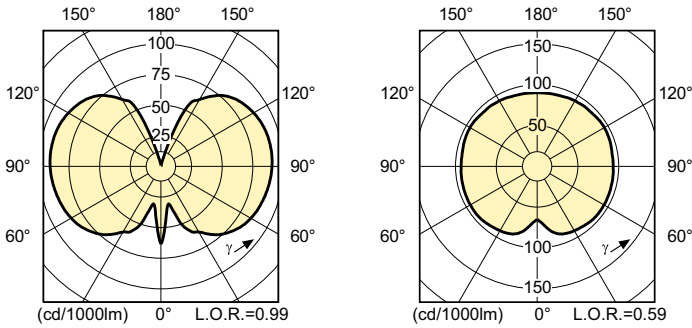
材料编号 (12NC)	928193805129
计算器 - 每包数量	1
EAN/UPC - 产品/箱	8718696484692
计算器 - 每个外包装箱中的包数	12
EAN/UPC - 案例	8718696484708

二维绘图



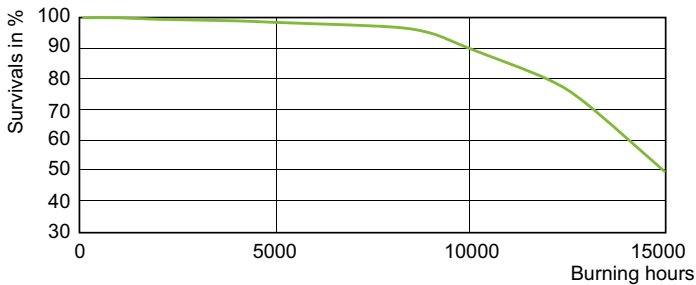
Product	D (max)	O	L (min)	L (max)	L	C (max)
MASTERC CDM-TC Elite 35W/942 G8.5 1CT	15 mm	5.2 mm	51 mm	53 mm	52 mm	85 mm

光度数据



Light Distribution Diagram - MASTERC CDM-TC Elite 35W/942 G8.5 1CT

寿命



Life Expectancy Diagram - MASTERC CDM-TC Elite 35W/942 G8.5 1CT



Lumen Maintenance Diagram - MASTERC CDM-TC Elite 35W/942 G8.5 1CT

MASTERC colour CDM-TC 精锐型

