

**PHILIPS**

Lighting



# MASTERColour CDM-TC Elite

## MASTERColour CDM-TC Elite 35W/942 G8.5 1CT

Single-ended, compact size, high-efficiency Ceramic Metal Halide discharge lamp

### Product data

General Information	
Cap base	G8.5 [ G8.5]
Operating position	UNIVERSAL [ Any/Universal]
Life to 5% failures (nom.)	9000 h
Life to 10% failures (nom.)	10000 h
Life to 20% failures (nom.)	12000 h
Life to 50% failures (nom.)	15000 h
ANSI code HID	-

Light Technical	
Colour code	942 [ CCT of 4,200 K]
Luminous flux (rated) (min.)	3420 lm
Luminous flux (rated) (nom.)	3800 lm
Colour designation	Cool White (CW)
Lumen maintenance 12,000 hours (nom.)	71 %
Lumen maintenance 10,000 hours (nom.)	73 %
Lumen maintenance 2,000 hours (nom.)	84 %
Lumen maintenance 5,000 hours (nom.)	79 %
Chromaticity coordinate X (nom.)	0.371
Chromaticity coordinate Y (nom.)	0.366
Correlated colour temperature (nom.)	4200 K
Luminous efficacy (rated) (nom.)	97 lm/W
Color rendering index (min.)	87

Color rendering index (nom.)	90
------------------------------	----

Operating and Electrical	
Power (Rated) (Nom)	39.0 W
Ignition supply voltage (min.)	198 V
Re-ignition time (min.) (max.)	15 min
Ignition time (max.)	30 s
Voltage (Max)	97 V
Voltage (Min)	85 V
Voltage (Nom)	91 V

Controls and Dimming	
Dimmable	no
Run-up time 90% (max.)	3 min

Mechanical and Housing	
Bulb finish	Clear (CL)

Approval and Application	
Energy efficiency label (EEL)	A+
Mercury (Hg) content (nom.)	4.7 mg
Energy Consumption kWh/1000 h	43 kWh

# MASTERCcolour CDM-TC Elite

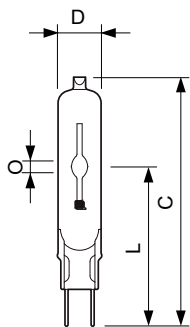
UV	
PET (NIOSH) (min.)	8 h/500lx
Damage factor D/fc (max.)	0.4
Luminaire Design Requirements	
Bulb temperature (max.)	500 °C
Pinch temperature (max.)	300 °C
Product Data	
Full product code	871829116366400
Order product name	MASTERCcolour CDM-TC Elite 35W/942 G8.5 1CT

EAN/UPC – product	8718291163664
Order code	16366400
Local Code	35CDMTCELITE942
Numerator – quantity per pack	1
Numerator – packs per outer box	12
Material no. (12NC)	928193805131
Net weight (piece)	0.009 kg
ILCOS Code	MT/UB-35/942-H-G8.5-17/85

## Warnings and Safety

- Use only in totally enclosed luminaire, even during testing (IEC61167, IEC 62035, IEC60598)
- The luminaire must be able to contain hot lamp parts if the lamp ruptures
- Use only with electronic control gear
- Control gear must include end-of-life protection (IEC61167, IEC 62035)
- A lamp breaking is extremely unlikely to have any impact on your health. If a lamp breaks, ventilate the room for 30 minutes and remove the parts, preferably with gloves. Put them in a sealed plastic bag and take it to your local waste facilities for recycling. Do not use a vacuum cleaner.

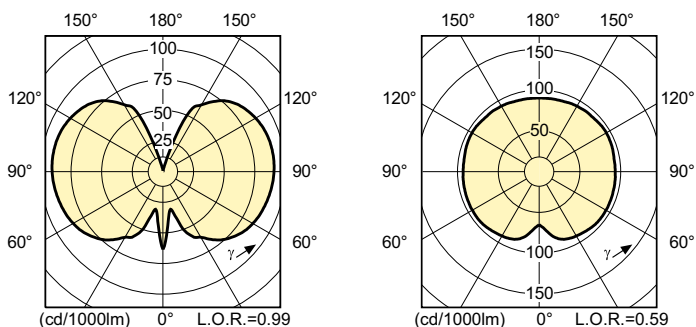
## Dimensional drawing



CDM-TC Elite 35W/942 G8.5

Product	D (max)	O	L (min)	L (max)	L	C (max)
MASTERCcolour CDM-TC Elite 35W/942 G8.5 1CT	15 mm	5.2 mm	51 mm	53 mm	52 mm	85 mm

## Photometric data



# MASTERColour CDM-TC Elite

## Lifetime

