



MASTERColour CDM-Rm Elite Mini

CDM-Rm Elite Mini 35W/930 GX10 MR16 40D

Mini, very high-efficiency Ceramic Metal Halide discharge reflector lamp producing crisp white sparkling light with high colour rendering

Warnings and Safety

- Use only with electronic control gear
- Control gear must include end-of-life protection (IEC61167, IEC 62035)

Product data

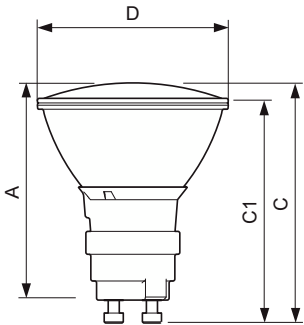
| General Information | | Luminous Flux in 90° Cone (Rated) | |
|---------------------------------------|----------------------------------|-----------------------------------|----------|
| Cap-Base | GX10 | | 2,150 lm |
| Operating Position | UNIVERSAL [Any or Universal (U)] | Operating and Electrical | |
| Switching Cycle | 1,350 | Power Consumption | 39.1 W |
| Flux measurement reference | Narrow Cone | Warm-up time to 60% light | 120 s |
| Life to 50% Failures (Nom) | 15,000 hour(s) | Voltage (Nom) | 87 V |
| | | Voltage (Nom) | 87 V |
| Light Technical | | Controls and Dimming | |
| Color Code | 930 [CCT of 3000K] | Dimmable | No |
| Beam Angle (Nom) | 40 degree(s) | Mechanical and Housing | |
| Luminous Flux | 2,150 lm | Bulb Shape | MR16 |
| Luminous Intensity (Nom) | 3,600 cd | Approval and Application | |
| Chromaticity Coordinate X (Nom) | 0.434 | Energy Efficiency Class | G |
| Chromaticity Coordinate Y (Nom) | 0.398 | Mercury (Hg) Content (Max) | 4.7 mg |
| Correlated Color Temperature (Nom) | 3000 K | Mercury (Hg) Content (Nom) | 4.7 mg |
| Luminous Efficacy (rated) (Nom) | 61 lm/W | Energy Consumption kWh/1000 h | 40 kWh |
| Color rendering index (CRI) | 90 | | |
| LLMF At End Of Nominal Lifetime (Nom) | 80 % | | |

MASTERCLOUR CDM-Rm Elite Mini

| | |
|---------------------------|---|
| EPREL Registration Number | 473278 |
| Product Data | |
| Order product name | CDM-Rm Elite Mini 35W/930 GX10 MR16 40D |
| Full product name | CDM-Rm Elite Mini 35W/930 GX10 MR16 40D |
| Full product code | 871829116306000 |
| Order code | 928194805330 |

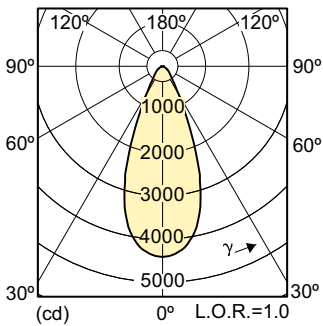
| | |
|---------------------------------|---------------|
| Material Nr. (12NC) | 928194805330 |
| Numerator - Quantity Per Pack | 1 |
| EAN/UPC - Product/Case | 8718291163060 |
| Numerator - Packs per outer box | 12 |
| EAN/UPC - Case | 8718291163077 |

Dimensional drawing

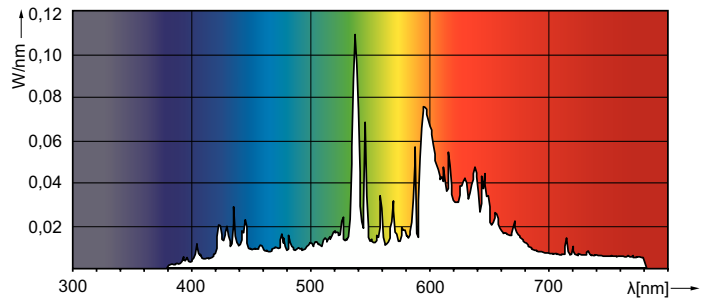


| Product | D (max) | D | C (max) | C | C1 (max) | A (max) |
|---|---------|-------|---------|----------|----------|---------|
| CDM-Rm Elite Mini 35W/930 GX10 MR16 40D | 51 mm | 50 mm | 65.4 mm | 62.75 mm | 60.9 mm | 59 mm |

Photometric data



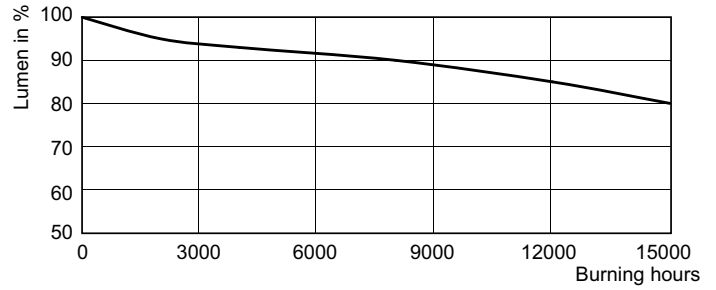
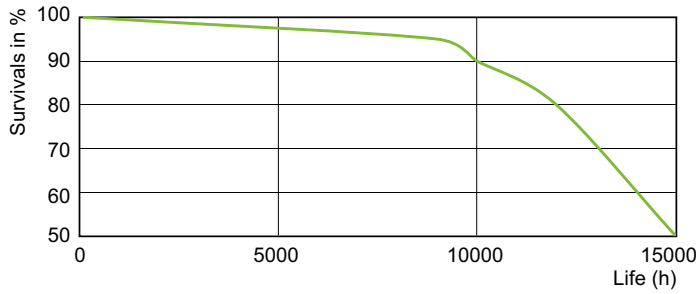
Light Distribution Diagram - CDM-Rm Elite Mini 35W/930 GX10 MR16 40D



Spectral Power Distribution Colour - CDM-Rm Elite Mini 35W/930 GX10 MR16 40D

MASTERCcolour CDM-Rm Elite Mini

Lifetime



Life Expectancy Diagram - CDM-Rm Elite Mini 35W/930 GX10 MR16 40D

Lumen Maintenance Diagram - CDM-Rm Elite Mini 35W/930 GX10 MR16 40D

