



Christie digital cinema projectors

XDC 2000 C

Digital Xenon Cinema C-type lamps are ideal for today's demanding 3D and 2D digital cinema presentations. They are especially designed for Christie projectors. There is a choice of four power ratings in the C-type Digital Cinema Xenon lamps range: 2000W, 3000W, 4500W, or 6000W. There is also a choice of three power ratings in the CH-type Digital Helios lamps range: 2000W, 3000W, and 4200W power ratings. All these lamps produce the very high light output needed to maximize screen brightness and enhance the dramatic effect for the viewer. These long-life digital lamps also provide constant color temperature characteristics, and meet all of the stringent arc-stability requirements for consistent customer satisfaction. In addition to C-type Digital Cinema Xenon lamps there are B-, N-, S-, and TA-type Digital Cinema Xenon lamps. These are all individually customized per projector, so there is a different, perfect-fitting lamp for each projector model to ensure optimized projector performance.

Product data

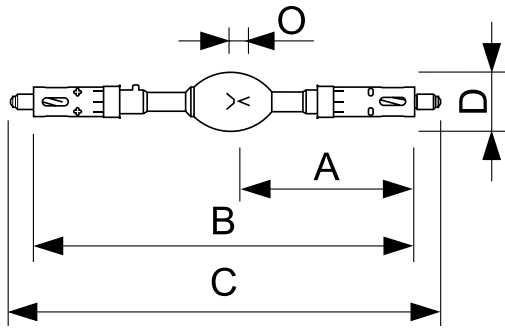
General Information	
Operating position	P30 [p30]
Main application	Cinema
Nominal lifetime (nom.)	2400 h
Magnet	-

Operating and Electrical	
Power (Rated) (Nom)	2000 W
Lamp current span	50/90 A
Lamp current (nom.)	80 A
Voltage (Nom)	25 V

Product Data	
Full product code	872790030131100
Order product name	XDC 2000 C
EAN/UPC – product	8727900301311
Order code	30131100
Numerator – quantity per pack	1
Numerator – packs per outer box	1
Material no. (12NC)	928413306301
Net weight (piece)	0.480 kg

Christie digital cinema projectors

Dimensional drawing



Product	O	D	B (max)	C (max)	A
XDC 2000 C	4.4 mm	55 mm	350 mm	403 mm	161.5 mm

LTIX XDC 2000W C

