

Sony digital cinema projectors

XDC 2000 S

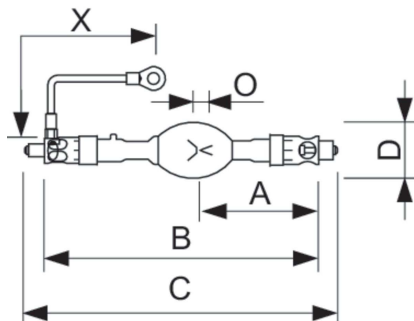
Digital Xenon Cinema S-type lamps are ideal for today's demanding 3D and 2D digital cinema presentations. There is a choice of three power ratings in the S-type Digital Cinema Xenon lamps range: 2000W, 3000W, or 4200W. These lamps produce the very high light output needed to maximize screen brightness and enhance the dramatic effect for the viewer. These long-life digital lamps also provide constant color temperature characteristics, and meet all of the stringent arc-stability requirements for consistent customer satisfaction. In addition to S-type Digital Cinema Xenon lamps there are B-, C-, N-, and TA-type Digital Cinema Xenon lamps. These are all individually customized per projector, so there is a different, perfect-fitting lamp for each projector model to ensure optimized projector performance.

Product data

General Information		Full product name	
Operating Position	P15 [Parallel +/-15D or Horizontal(HOR)]	Full product name	XDC 2000 S
Nominal lifetime	2,400 hour(s)	Full product code	872790030132800
Operating and Electrical		Order code	30132800
Power Consumption	2,000 W	Material Nr. (12NC)	928413406301
Lamp Current (Nom)	80 A	Numerator - Quantity Per Pack	1
Voltage (Nom)	25 V	EAN/UPC - Product/Case	8727900301328
Voltage (Nom)	25 V	Numerator - Packs per outer box	1
Product Data		EAN/UPC - Case	8727900301328
Order product name	XDC 2000 S		

Sony digital cinema projectors

Dimensional drawing



Product	O	D	X	B (max)	C (max)	A
XDC 2000 S	3.9 mm	60 mm	203 mm	295 mm	336 mm	128 mm

