



MASTER CityWhite CDO-TT

MASTER CityWhite CDO-TT Plus 250W/940 E40

Ceramic metal halide lamp with clear tubular outer bulb shape, used in outdoor offering pleasant white light

Product data

| General Information | |
|--------------------------------------|----------------------------|
| Cap base | E40 [E40] |
| Burning Position | UNIVERSAL [Any/Universal] |
| Life to 10% failures (nom.) | 9000 h |
| Life to 20% failures (nom.) | 12000 h |
| Life to 50% failures (nom.) | 18000 h |
| Light Technical | |
| Colour Code | 940 [CCT of 4,000 K] |
| Lamp Luminous Flux (Nom) | 26500 lm |
| Colour Designation | Cool White (CW) |
| Chromaticity coordinate X (nom.) | 377 |
| Chromaticity coordinate Y (nom.) | 372 |
| Colour Temperature, horizontal (Nom) | 4000 K |
| Lamp Luminous Efficacy EM (Nom) | 106 lm/W |
| Colour Rendering Index,horiz (Nom) | 90 |
| Operating and Electrical | |
| Power (Rated) (Nom) | 250.0 W |
| Lamp current (EM) (nom.) | 3 A |
| Ignition supply voltage (min.) | 198 V |
| Re-ignition time (min.) (max.) | 900 s |

| Ignition time (max.) | 10 s |
|-------------------------------|------------|
| Voltage (Max) | 112 V |
| Voltage (Min) | 92 V |
| Voltage (Nom) | 102 V |
| Controls and Dimming | |
| Dimmable | no |
| Run-up time 90% (max.) | 4 min |
| Mechanical and Housing | |
| Bulb finish | Clear (CL) |
| Approval and Application | |
| Energy efficiency label (EEL) | A+ |
| Mercury (Hg) content (nom.) | 19.5 mg |
| Energy Consumption kWh/1000 h | 275 kWh |
| Luminaire Design Requirements | |
| Bulb temperature (max.) | 450 °C |
| Cap base temperature (max.) | 250 °C |

MASTER CityWhite CDO-TT

Product Data

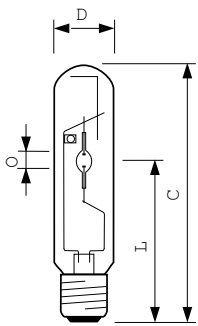
| | |
|-------------------------------|---|
| Full product code | 871829120348300 |
| Order product name | MASTER CityWhite CDO-TT Plus 250W/940 E40 |
| EAN/UPC – product | 8718291203483 |
| Order code | 928487500191 |
| Numerator – quantity per pack | 1 |

| | |
|---------------------------------|-------------------------|
| Numerator – packs per outer box | 12 |
| Material no. (12NC) | 928487500191 |
| Net weight (piece) | 0.160 kg |
| ILCOS Code | MT-250/940-H-E40-48/260 |

Warnings and Safety

- Use only in totally enclosed luminaire, even during testing (IEC61167, IEC 62035, IEC60598)
- The luminaire must be able to contain hot lamp parts if the lamp ruptures
- Lamps may use electronic or electromagnetic control gear
- Control gear must include end-of-life protection (IEC61167, IEC 62035)

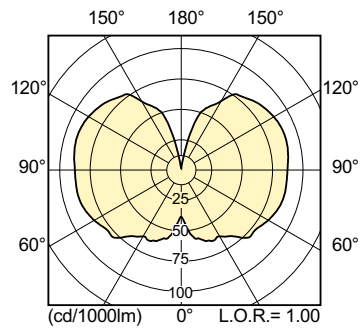
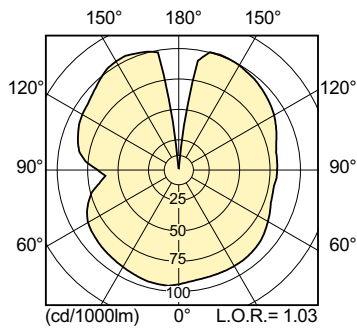
Dimensional drawing



CDO-TT Plus 250W/940 E40

| Product | D (max) | O | L | C (max) |
|---|---------|----------|--------|---------|
| MASTER CityWhite CDO-TT Plus 250W/940 E40 | 47 mm | 12.30 mm | 158 mm | 255 mm |

Photometric data



MASTER CityWhite CDO-TT

Lifetime

