



Essential LEDspot MR16

Essential LED 2.6-20W 2700K MR16 24D

Essential LEDspots MR16 are compatible with most existing fixtures with a GU5.3 socket and are designed as a retrofit replacement for halogen spots. Essential LEDspots MR16 deliver significant energy savings and minimise the initial investment.

Product data

General Information	
Cap base	GU5.3 [GU5.3]
Nominal lifetime (nom.)	15000 h
Switching cycle	50000X
Technical type	2.6-20W
Light Technical	
Colour code	827 [CCT of 2,700 K]
Beam Angle (Nom)	24 °
Light distribution	24D [Medium beam]
Luminous flux (nom.)	135 lm
Luminous flux (rated) (nom.)	135 lm
Luminous intensity (nom.)	460 cd
Colour designation	Warm White (WW)
Rated beam angle	24 °
Correlated colour temperature (nom.)	2700 K
Luminous efficacy (rated) (nom.)	51.92 lm/W
Colour consistency	<6
Color rendering index (nom.)	80

LLMF at end of nominal lifetime (nom.)	70 %
Operating and Electrical	
Input frequency	50 to 60 Hz
Power (Rated) (Nom)	2.6 W
Lamp current (nom.)	363 mA
Starting time (nom.)	0.5 s
Warm-up time to 60% light (nom.)	instant full light
Power factor (nom.)	0.5
Voltage (Nom)	12 V
Controls and Dimming	
Dimmable	No
Approval and Application	
Energy efficiency label (EEL)	A
Suitable for accent lighting	Yes
Energy Consumption kWh/1000 h	4 kWh

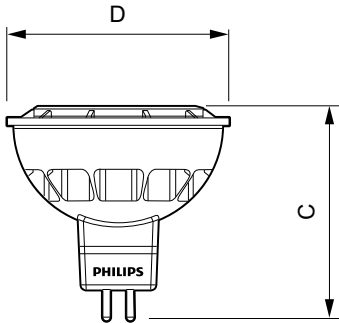
Essential LEDspot MR16

Product Data

Full product code	871829166354600
Order product name	Essential LED 2.6-20W 2700K MR16 24D
EAN/UPC – product	8718291663546
Order code	66354600
Numerator – quantity per pack	1

Numerator – packs per outer box	20
Material no. (12NC)	929000232708
Net weight (piece)	0.035 kg

Dimensional drawing



LED 2.6-20W 2700K MR16 24D

Product	D	C
Essential LED 2.6-20W 2700K MR16 24D	49.9 mm	47.6 mm

Photometric data

