



MASTER LED Lamps

MASTER LED 7-50W 2700K MR16 24D Dim

Delivering a warm, halogen/incandescent-like accent beam, MASTER LED lamp is an ideal retrofit solution for spot and general lighting applications in the hospitality industry. It is particularly suited to public areas such as receptions, lobbies, corridors, stairwells and washrooms, where the light is on all the time. MASTER LED delivers huge energy savings and minimizes maintenance cost without any compromise on brightness, enabling hospitality owners to achieve a fast return on their investment. These LED lamps are compatible with most fixtures and designed as a retrofit replacement alternative for halogen lamps or incandescent lamps.

Product data

General Information	
Cap base	GU5.3 [GU5.3]
Nominal lifetime (nom.)	40000 h
Switching cycle	50000X
Technical type	7-50W
Light Technical	
Colour code	827 [CCT of 2,700 K]
Beam Angle (Nom)	24 °
Light distribution	24D [Medium beam]
Luminous flux (nom.)	420 lm
Luminous flux (rated) (nom.)	420 lm
Luminous intensity (nom.)	2100 cd
Colour designation	Warm White (WW)
Rated beam angle	24 °
Correlated colour temperature (nom.)	2700 K
Luminous efficacy (rated) (nom.)	60.00 lm/W
Colour consistency	<6
Color rendering index (nom.)	80

LLMF at end of nominal lifetime (nom.)	70 %
Luminous Flux in 90° Cone (Rated)	400 lm
Operating and Electrical	
Input frequency	50 to 60 Hz
Power (Rated) (Nom)	7 W
Lamp current (nom.)	715 mA
Starting time (nom.)	0.5 s
Warm-up time to 60% light (nom.)	instant full light
Power factor (nom.)	-
Voltage (Nom)	12 V
Temperature	
T-Case maximum (nom.)	110 °C
Controls and Dimming	
Dimmable	Yes

MASTER LED Lamps

Approval and Application

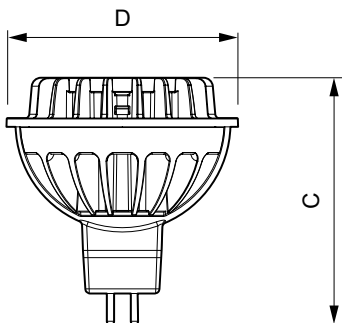
Energy efficiency label (EEL)	A
Suitable for accent lighting	Yes
Energy Consumption kWh/1000 h	8 kWh

Product Data

Full product code	871829125972500
Order product name	MASTER LED 7-50W 2700K MR16 24D Dim

EAN/UPC – product	8718291259725
Order code	25972500
Numerator – quantity per pack	1
Numerator – packs per outer box	10
Material no. (12NC)	929000237308
Net weight (piece)	0.060 kg

Dimensional drawing



LED D 7-35W 2700K MR16 24D

Product	D	C
MASTER LED 7-50W 2700K MR16 24D Dim	54 mm	50 mm

Photometric data

