

MASTER LEDtube EM/ Mains

MAS LEDtube STD 600mm 10W830 T8 I

The Philips MASTER LEDtube integrates a LED light source into a traditional fluorescent form factor. Its unique design creates a perfectly uniform visual appearance which cannot be distinguished from traditional fluorescent. For those that are looking for value for money within limited budget and re-lamping efforts for better light effect and lifetime.

Product data

| General Information | |
|-------------------------|----------------------------------|
| Cap base | G13 [Medium Bi-Pin Fluorescent] |
| Main application | Industrial |
| Nominal lifetime (nom.) | 40000 h |
| Switching cycle | 50000X |
| B50L70 | 40000 h |

| Light Technical | |
|--|-----------------------|
| Colour code | 830 [CCT of 3,000 K] |
| Beam Angle (Nom) | 150 ° |
| Luminous flux (nom.) | 1000 lm |
| Luminous flux (rated) (nom.) | 1000 lm |
| Rated beam angle | 150 ° |
| Correlated colour temperature (nom.) | 3000 K |
| Colour consistency | <6 |
| Color rendering index (nom.) | 83 |
| LLMF at end of nominal lifetime (nom.) | 70 % |

| Operating and Electrical | |
|--------------------------|-------------|
| Input frequency | 50 to 60 Hz |

| | |
|----------------------------------|----------------------|
| Power (Rated) (Nom) | 10 W |
| Lamp current (nom.) | 43 mA |
| Starting time (nom.) | 0.5 s |
| Warm-up time to 60% light (nom.) | instant full light s |
| Power factor (nom.) | 0.9 |
| Voltage (Nom) | 100-240 V |

| Temperature | |
|-----------------------|--------|
| T ambient (max.) | 45 °C |
| T ambient (min.) | -20 °C |
| T storage (max.) | 65 °C |
| T storage (min.) | -40 °C |
| T-Case maximum (nom.) | 55 °C |

| Controls and Dimming | |
|----------------------|----|
| Dimmable | No |

| Mechanical and Housing | |
|------------------------|--------|
| Product length | 600 mm |

MASTER LEDtube EM/Mains

Approval and Application

| | |
|-------------------------------|--|
| Energy efficiency label (EEL) | A+ |
| Energy-saving product | Yes |
| Suitable for accent lighting | No |
| Approval marks | CE marking RoHS compliance KEMA Keur certificate |
| Energy Consumption kWh/1000 h | 10 kWh |

Product Data

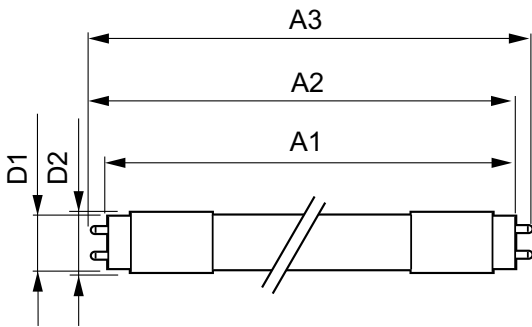
| | |
|-------------------|-----------------|
| Full product code | 871829174085800 |
|-------------------|-----------------|

| | |
|---------------------------------|-----------------------------------|
| Order product name | MAS LEDtube STD 600mm 10W830 T8 I |
| EAN/UPC – product | 8718291740858 |
| Order code | 74085800 |
| Numerator – quantity per pack | 1 |
| Numerator – packs per outer box | 10 |
| Material no. (12NC) | 929000286608 |
| Net weight (piece) | 0.150 kg |

Warnings and Safety

· ·

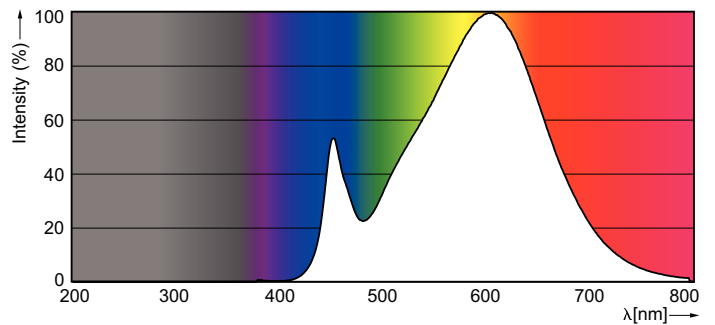
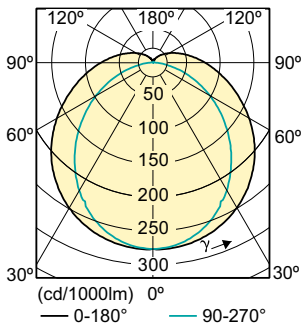
Dimensional drawing



TLED STD 600mm 10W830 T8 I

| Product | D1 | D2 | A1 | A2 | A3 |
|-----------------------------------|----------|-------|----------|----------|----------|
| MAS LEDtube STD 600mm 10W830 T8 I | 25.68 mm | 28 mm | 588.5 mm | 595.5 mm | 602.5 mm |

Photometric data



MASTER LEDtube EM/Mains

