



MASTER LEDtube EM/ Mains

MAS LEDtube 1500mm HO 23W830 T8

The Philips MASTER LEDtube integrates a LED light source into a traditional fluorescent form factor. Its unique design creates a perfectly uniform visual appearance which cannot be distinguished from traditional fluorescent. For those that are looking for value for money within limited budget and re-lamping efforts for better light effect and lifetime.

Product data

General Information	
Cap base	G13 [Medium Bi-Pin Fluorescent]
Main application	Industrial
Nominal lifetime (nom.)	50000 h
Switching cycle	200000X
B50L70	50000 h
Light Technical	
Colour code	830 [CCT of 3,000 K]
Beam Angle (Nom)	160 °
Luminous flux (nom.)	2900 lm
Luminous flux (rated) (nom.)	2900 lm
Colour designation	White (WH)
Rated beam angle	160 °
Correlated colour temperature (nom.)	3000 K
Colour consistency	<6
Color rendering index (nom.)	80
LLMF at end of nominal lifetime (nom.)	70 %

Operating and Electrical	
Input frequency	50 to 60 Hz
Power (Rated) (Nom)	23 W
Lamp current (max.)	105 mA
Lamp current (min.)	95 mA
Starting time (nom.)	0.5 s
Warm-up time to 60% light (nom.)	0.5 s
Power factor (nom.)	0.9
Voltage (Nom)	220-240 V
Temperature	
T ambient (max.)	35 °C
T ambient (min.)	-20 °C
T storage (max.)	65 °C
T storage (min.)	-40 °C
T-Case maximum (nom.)	55 °C
Controls and Dimming	
Dimmable	No

MASTER LEDtube EM/Mains

Mechanical and Housing

Product length 1500 mm

Approval and Application

Energy efficiency label (EEL) A++
 Energy-saving product Yes
 Suitable for accent lighting No
 Approval marks CE marking RoHS compliance KEMA Keur certificate
 Energy Consumption kWh/1000 h 23 kWh

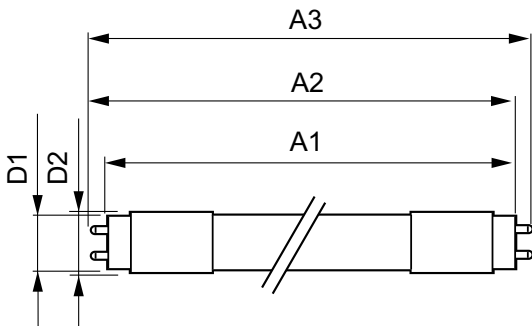
Product Data

Full product code 871829178956700
 Order product name MAS LEDtube 1500mm HO 23W830 T8
 EAN/UPC – product 8718291789567
 Order code 78956700
 Numerator – quantity per pack 1
 Numerator – packs per outer box 10
 Material no. (I2NC) 929001116002
 Net weight (piece) 0.310 kg

Warnings and Safety

· -

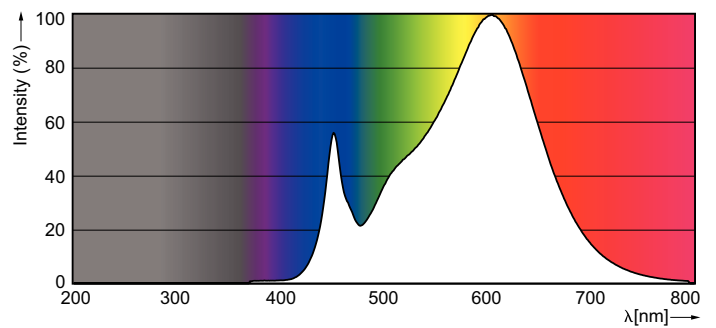
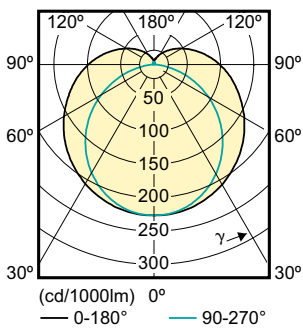
Dimensional drawing



LEDtube 1500mm 23W/830 T8

Product	D1	D2	A1	A2	A3
MAS LEDtube 1500mm HO 23W830 T8	25.68 mm	28 mm	1500.0 mm	1507.1 mm	1514.2 mm

Photometric data



MASTER LEDtube EM/Mains

