



Essential LED tubes T5 Mains

MASTER LEDtube 1200mm 13W840 G5 I

The Essential LEDtube T5 is an affordable LED solution suitable for replacing T5 fluorescent lamps. Thanks to a unique design, Philips Essential LED tube T5 Mains can be directly installed in luminaires operating on mains power connection. The product provides a natural lighting effect for use in general lighting applications, as well as instant energy savings – an environmentally friendly solution.

Product data

General Information	
Cap base	G5 [G5]
Main application	Industrial
Nominal lifetime (nom.)	40000 h
Switching cycle	50000X
B50L70	40000 h

Light Technical	
Colour code	841 [CCT of 4100K (841)]
Beam Angle (Nom)	160 °
Luminous flux (nom.)	1600 lm
Luminous flux (rated) (nom.)	1600 lm
Rated beam angle	160 °
Correlated colour temperature (nom.)	4000 K
Colour consistency	<6
Color rendering index (nom.)	83
LLMF at end of nominal lifetime (nom.)	70 %

Operating and Electrical	
Input frequency	50 to 60 Hz

Power (Rated) (Nom)	13 W
Lamp current (nom.)	400 mA
Starting time (nom.)	0.5 s
Warm-up time to 60% light (nom.)	0.5 s
Power factor (nom.)	0.9
Voltage (Nom)	33 V

Temperature	
T ambient (max.)	45 °C
T ambient (min.)	-20 °C
T storage (max.)	65 °C
T storage (min.)	-40 °C
T-Case maximum (nom.)	50 °C

Controls and Dimming	
Dimmable	No

Mechanical and Housing	
Product length	1200 mm

Essential LED tubes T5 Mains

Approval and Application

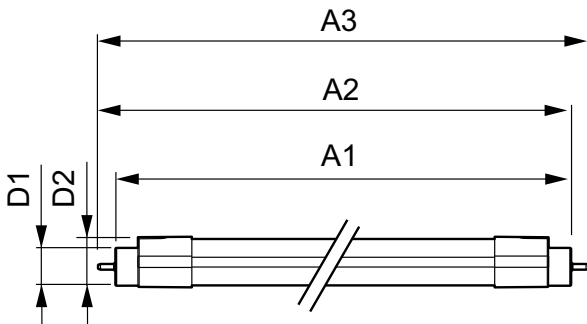
Energy-saving product	Yes
Suitable for accent lighting	No
Energy efficiency label (EEL)	A+
Approval marks	RoHS compliance KEMA Keur certificate CE marking
Energy Consumption kWh/1000 h	15 kWh

Product Data

Full product code	694793910873200
-------------------	-----------------

Order product name	MASTER LEDtube 1200mm 13W840 G5 I
EAN/UPC – product	6947939108732
Order code	10873200
Numerator – quantity per pack	1
Numerator – packs per outer box	20
Material no. (12NC)	929001131110
Net weight (piece)	0.155 kg

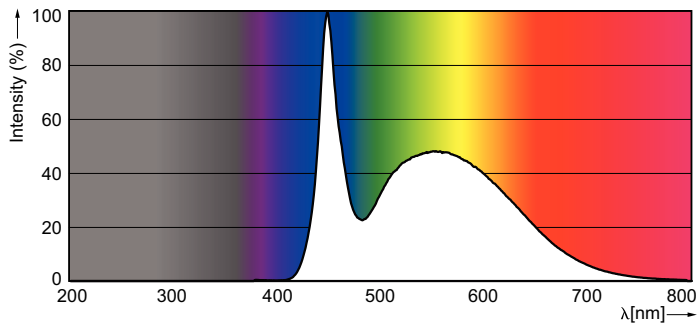
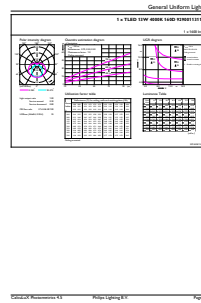
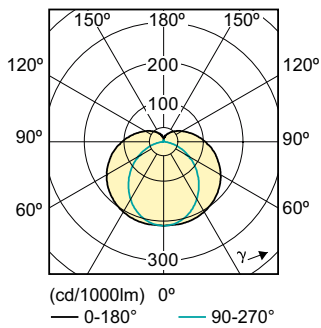
Dimensional drawing



TLED T5 1200mm 13W DC 400mA 33V 4000K

Product	D1	D2	A1	A2	A3
MASTER LEDtube 1200mm 13W840 G5 I	15.8 mm	21.0 mm	1148.0 mm	1155.0 mm	1162.0 mm

Photometric data



Essential LED tubes T5 Mains

