



MASTER LEDspot MV

MAS LEDspotMV D 4-35W GU10 927 25D

Delivering a warm, halogen-like accent beam, MASTER LEDspot MV is a perfect fit for spot lighting (track, corridors, lift lobbies, display cases and cabinets) in the hospitality industry. It is particularly suitable to public areas where the light is on 24/7, such as lobbies, corridors, stairwells. MASTER LEDspot MV delivers huge energy savings and minimizes maintenance cost without any compromise on brightness, enabling hospitality owners to achieve a return on their investment within one year. These LEDspots are compatible with most existing fixtures with a GU10 holder and designed as a retrofit replacement for halogen or incandescent spots. The dimmable versions drive further efficiencies, while helping to create the desired atmosphere.

Product data

General Information	
Cap base	GU10 [GU10]
Nominal lifetime (nom.)	50000 h
Switching cycle	50000X
Technical type	4-35W
Light Technical	
Colour code	927
Beam Angle (Nom)	25 °
Light distribution	25D [Medium beam]
Luminous flux (nom.)	272 lm
Luminous flux (rated) (nom.)	272 lm
Luminous intensity (nom.)	925 cd
Colour designation	Warm White (WW)
Rated beam angle	25 °
Correlated colour temperature (nom.)	2700 K
Luminous efficacy (rated) (nom.)	62.50 lm/W

Colour consistency	<6
Color rendering index (nom.)	90
LLMF at end of nominal lifetime (nom.)	70 %
Luminous Flux in 90° Cone (Rated)	250 lm
Operating and Electrical	
Input frequency	50 to 60 Hz
Power (Rated) (Nom)	4 W
Lamp current (nom.)	21 mA
Starting time (nom.)	0.5 s
Warm-up time to 60% light (nom.)	instant full light
Power factor (nom.)	0.84
Voltage (Nom)	220-240 V
Temperature	
T-Case maximum (nom.)	90 °C

MASTER LEDspot MV

Controls and Dimming

Dimmable Yes

Approval and Application

Energy efficiency label (EEL) A+

Suitable for accent lighting Yes

Energy Consumption kWh/1000 h 4 kWh

Product Data

Full product code 871869645727600

Order product name MAS LEDspotMV D 4-35W GU10 927 25D

EAN/UPC – product 8718696457276

Order code 45727600

Numerator – quantity per pack 1

Numerator – packs per outer box 10

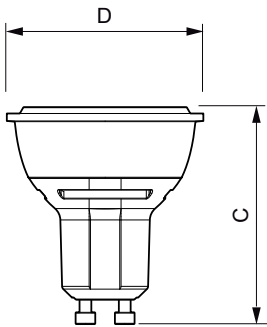
Material no. (12NC) 929001139202

Net weight (piece) 0.036 kg

Warnings and Safety

- Operating temperature range is between -20° C and 45° C ambient
- Only to apply in dry or damp locations and most of open fixtures with lamp-holders that offer sufficient space (10 mm free air space)
- Not intended for use with emergency light fixtures or exit lights

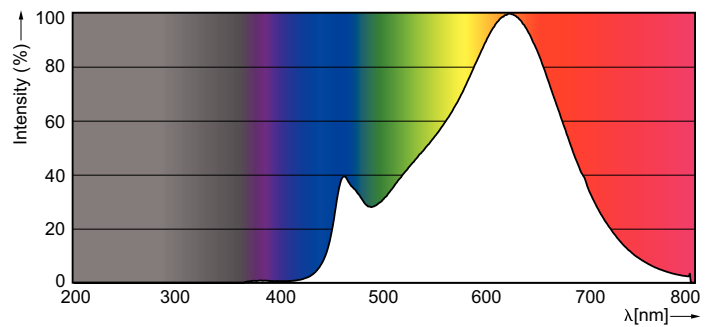
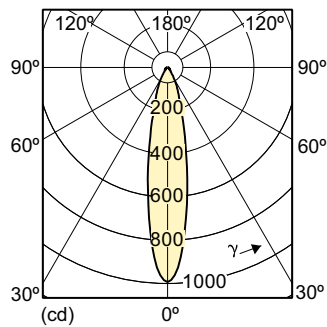
Dimensional drawing



LED D 4-35W GU10 927 25D

Product	D	C
MAS LEDspotMV D 4-35W GU10 927 25D	50 mm	57 mm

Photometric data



MASTER LEDspot MV

