



MASTER LEDspot MV

MAS LEDspotMV D 4-35W GU10 940 25D

Delivering a warm, halogen-like accent beam, MASTER LEDspot MV is a perfect fit for spot lighting (track, corridors, lift lobbies, display cases and cabinets) in the hospitality industry. It is particularly suitable to public areas where the light is on 24/7, such as lobbies, corridors, stairwells. MASTER LEDspot MV delivers huge energy savings and minimizes maintenance cost without any compromise on brightness, enabling hospitality owners to achieve a return on their investment within one year. These LEDspots are compatible with most existing fixtures with a GU10 holder and designed as a retrofit replacement for halogen or incandescent spots. The dimmable versions drive further efficiencies, while helping to create the desired atmosphere.

Product data

General Information	
Cap base	GU10 [GU10]
Nominal lifetime (nom.)	50000 h
Switching cycle	50000X
Technical type	4-35W
Light Technical	
Colour code	940 [CCT of 4,000 K]
Beam Angle (Nom)	25 °
Light distribution	25D [Medium beam]
Luminous flux (nom.)	307 lm
Luminous flux (rated) (nom.)	307 lm
Luminous intensity (nom.)	1040 cd
Colour designation	White (WH)
Rated beam angle	25 °
Correlated colour temperature (nom.)	4000 K
Luminous efficacy (rated) (nom.)	70.50 lm/W

Colour consistency	<6
Color rendering index (nom.)	90
LLMF at end of nominal lifetime (nom.)	70 %
Luminous Flux in 90° Cone (Rated)	282 lm
Operating and Electrical	
Input frequency	50 to 60 Hz
Power (Rated) (Nom)	4 W
Lamp current (nom.)	21 mA
Starting time (nom.)	0.5 s
Warm-up time to 60% light (nom.)	instant full light
Power factor (nom.)	0.84
Voltage (Nom)	220-240 V
Temperature	
T-Case maximum (nom.)	90 °C

MASTER LEDspot MV

Controls and Dimming

Dimmable	Yes
----------	-----

Approval and Application

Energy efficiency label (EEL)	A+
Suitable for accent lighting	Yes
Energy Consumption kWh/1000 h	4 kWh

Product Data

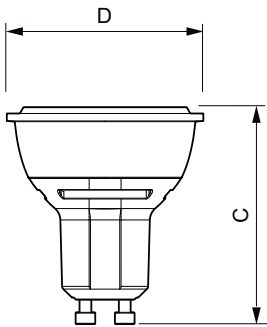
Full product code	871869645735100
-------------------	-----------------

Order product name	MAS LEDspotMV D 4-35W GU10 940 25D
EAN/UPC – product	8718696457351
Order code	45735100
Numerator – quantity per pack	1
Numerator – packs per outer box	10
Material no. (12NC)	929001139602
Net weight (piece)	0.036 kg

Warnings and Safety

- Operating temperature range is between -20° C and 45° C ambient
- Only to apply in dry or damp locations and most of open fixtures with lamp-holders that offer sufficient space (10 mm free air space)
- Not intended for use with emergency light fixtures or exit lights

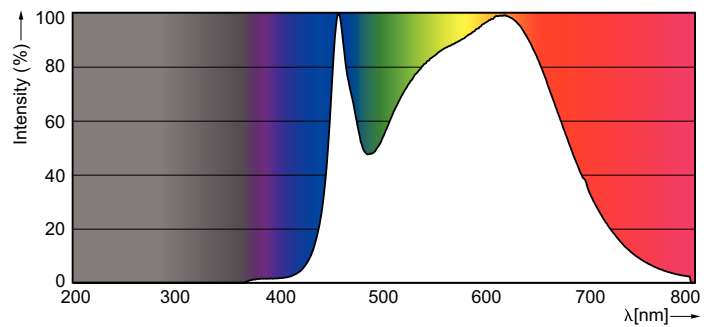
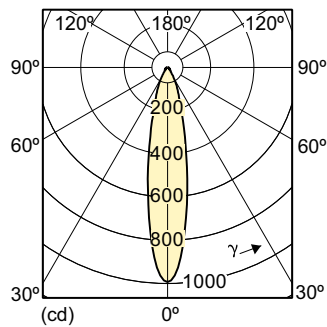
Dimensional drawing



LED D 4-35W GU10 940 25D

Product	D	C
MAS LEDspotMV D 4-35W GU10 940 25D	50 mm	57 mm

Photometric data



MASTER LEDspot MV

