



MR16/GU10/PAR16

8.5MRX16/LED/F25 2700 DIM AF 10/1

Philips MR16 Dimmable LED Lamps provide ambient level light to illuminate hard to maintain applications. Increased transformer compatibility allows for operation on a wider range of transformers. Available in dimmable and non-dimmable versions, these lamps are ideal for track and open recessed fixtures in retail, hospitality and residential spaces.

Product data

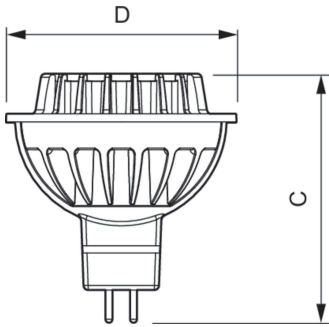
General Information		Input Frequency	
Cap-Base	GU5.3 [GU5.3]	Input Frequency	60 Hz
Nominal lifetime	25,000 hour(s)	Power Consumption	8.5 W
Switching Cycle	50,000	Lamp Current (Nom)	900 mA
Lighting Technology	LED	Wattage Equivalent	50 W
EU RoHS compliant	Yes	Starting Time (Nom)	0.5 s
		Warm-up time to 60% light	0.5 s
		Power Factor (Fraction)	0.7
		Voltage (Nom)	12 V
Light Technical		Temperature	
Color Code	827 [CCT of 2700K]	T-Case Maximum (Nom)	221 °F
Beam Angle (Nom)	25 degree(s)		
Luminous Flux	635 lm	Controls and Dimming	
Luminous Intensity (Nom)	3,100 cd	Dimmable	Yes
Color Designation	Warm White (WW)		
Correlated Color Temperature (Nom)	2700 K	Mechanical and Housing	
Luminous Efficacy (rated) (Nom)	75 lm/W	Bulb Shape	MR16 [2inch/50mm]
Color Consistency	<6		
Color rendering index (CRI)	80	Approval and Application	
LLMF At End Of Nominal Lifetime (Nom)	70 %	Suitable For Accent Lighting	Yes
Luminous Flux in 90° Cone (Rated)	621 lm	Energy Consumption kWh/1000 h	9 kWh
Operating and Electrical			
Line Frequency	60 Hz		

MR16/GU10/PAR16

Energy Certifications	Energy Star
Product Data	
Order product name	8.5MRX16/F25 2700 DIM AF 10/1
Full product name	8.5MRX16/LED/F25 2700 DIM AF 10/1
Order code	457507
Material Nr. (12NC)	929001149804

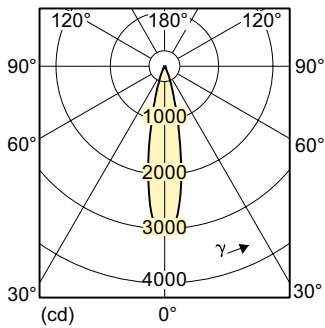
Numerator - Quantity Per Pack	1
EAN/UPC - Product/Case	046677457501
Numerator - Packs per outer box	10
EAN/UPC - Case	50046677457506

Dimensional drawing



Product	D	C
8.5MRX16/F25 2700 DIM AF 10/1	51 mm	55 mm

Photometric data



Light Distribution Diagram - 8.5MRX16/F25 2700 DIM AF 10/1

Spectral Power Distribution Colour - 8.5MRX16/F25 2700 DIM AF 10/1

