



MASTER LEDspot LV

MASTER LED 8-50W+ 827 MR16 24D Dim

Delivering an intense accent beam, the MASTER LEDspot LV is an ideal retrofit solution for spot-lighting. The MASTER LEDspot LV is designed to replace halogen or incandescent spots. It achieves natural colours, enables cosy and comfortable ambience for residential and hospitality usage, and emphasises the beauty of merchandise in retail. A new smaller housing provides perfect fitting with the majority of luminaires on the market with a MR16 GU 5.3 holder. It not only employs Philips's patented solution to guarantee the broadest possible compatibility with standard 12 V halogen electronic transformers, it also delivers high beam intensity which is equivalent to halogen MR16 spots. The dimming function enables users to create the desired atmosphere and it works with broad selection of dimmers. Its high SDCM ensures stricter colour consistency, that is maintained over product life. The MASTER LEDspot LV delivers huge energy savings and minimises maintenance costs without any compromise on light quality and lifetime, enabling residential and business owners to achieve a return on their investment within a short time period.

Product data

General Information		Colour designation	
Cap base	GU5.3 [GU5.3]	Colour designation	Warm White (WW)
Nominal lifetime (nom.)	40000 h	Rated beam angle	24 °
Switching cycle	50000X	Correlated colour temperature (nom.)	2700 K
Technical type	8-50W	Luminous efficacy (rated) (nom.)	78 lm/W
		Colour consistency	<6
		Color rendering index (nom.)	80
		LLMF at end of nominal lifetime (nom.)	70 %
		Luminous Flux in 90° Cone (Rated)	621 lm
Light Technical		Operating and Electrical	
Colour code	827 [CCT of 2,700 K]	Input frequency	50 to 60 Hz
Beam Angle (Nom)	24 °	Power (Rated) (Nom)	8 W
Light distribution	24D [Medium beam]	Lamp current (nom.)	900 mA
Luminous flux (nom.)	635 lm		
Luminous flux (rated) (nom.)	635 lm		
Luminous intensity (nom.)	3100 cd		

MASTER LEDspot LV

Wattage equivalent	50 W
Starting time (nom.)	0.5 s
Warm-up time to 60% light (nom.)	instant full light
Power factor (nom.)	0.7
Voltage (Nom)	12 V

Temperature

T-Case maximum (nom.)	105 °C
-----------------------	--------

Controls and Dimming

Dimmable	Yes
----------	-----

Approval and Application

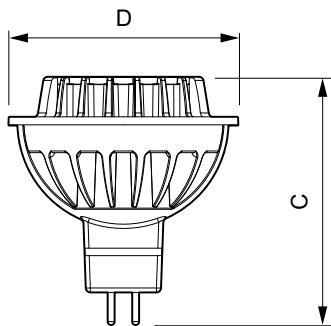
Energy efficiency label (EEL)	A+
-------------------------------	----

Suitable for accent lighting	Yes
Energy Consumption kWh/1000 h	9 kWh

Product Data

Full product code	871869649003700
Order product name	MASTER LED 8-50W+ 827 MR16 24D Dim
EAN/UPC – product	8718696490037
Order code	49003700
Numerator – quantity per pack	1
Numerator – packs per outer box	10
Material no. (12NC)	929001149808
Net weight (piece)	0.045 kg

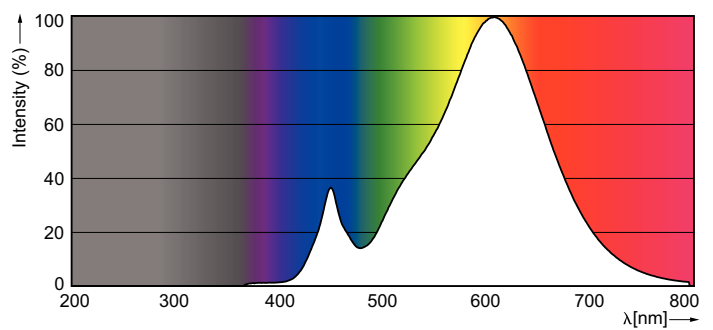
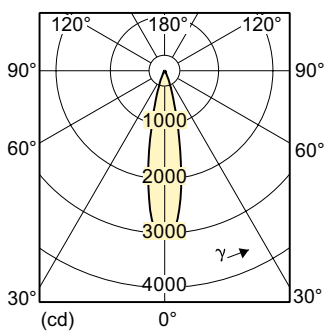
Dimensional drawing



LED D 8-50W 827 MR16 24D

Product	D	C
MASTER LED 8-50W+ 827 MR16 24D Dim	51 mm	55 mm

Photometric data



MASTER LEDspot LV

