



# MR16/GU10/PAR16

## 8.5MRX16/LED/F25 3000 DIM AF 10/1

Philips MR16 Dimmable LED Lamps provide ambient level light to illuminate hard to maintain applications. Increased transformer compatibility allows for operation on a wider range of transformers. Available in dimmable and non-dimmable versions, these lamps are ideal for track and open recessed fixtures in retail, hospitality and residential spaces.

### Product data

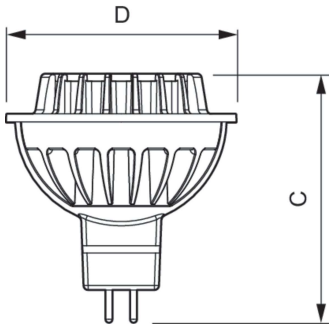
General Information		Input Frequency	
Cap-Base	GU5.3 [GU5.3]	Power Consumption	60 Hz
Nominal lifetime	25,000 hour(s)	Lamp Current (Nom)	8.5 W
Switching Cycle	50,000	Wattage Equivalent	900 mA
Lighting Technology	LED	Starting Time (Nom)	50 W
EU RoHS compliant	Yes	Warm-up time to 60% light	0.5 s
		Power Factor (Fraction)	0.7
		Voltage (Nom)	12 V
Light Technical		Temperature	
Color Code	830 [CCT of 3000K]	T-Case Maximum (Nom)	105 °C
Beam Angle (Nom)	25 degree(s)		
Luminous Flux	660 lm	Controls and Dimming	
Luminous Intensity (Nom)	3,250 cd	Dimmable	Yes
Color Designation	White (WH)		
Correlated Color Temperature (Nom)	3000 K	Mechanical and Housing	
Luminous Efficacy (rated) (Nom)	78 lm/W	Bulb Shape	MR16 [2inch/50mm]
Color Consistency	<6		
Color rendering index (CRI)	80	Approval and Application	
LLMF At End Of Nominal Lifetime (Nom)	70 %	Suitable For Accent Lighting	Yes
Luminous Flux in 90° Cone (Rated)	621 lm	Energy Consumption kWh/1000 h	- kWh
Operating and Electrical			
Line Frequency	60 Hz		

# MR16/GU10/PAR16

Energy Certifications	Energy Star
<b>Product Data</b>	
Order product name	8.5MRX16/F25 3000 DIM AF 10/1
Full product name	8.5MRX16/LED/F25 3000 DIM AF 10/1
Order code	457515
Material Nr. (12NC)	929001149904

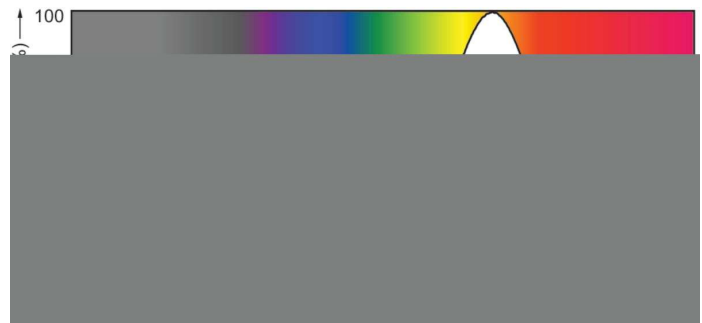
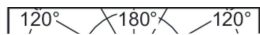
Numerator - Quantity Per Pack	1
EAN/UPC - Product/Case	046677457518
Numerator - Packs per outer box	10
EAN/UPC - Case	50046677457513

## Dimensional drawing



Product	D	C
8.5MRX16/F25 3000 DIM AF 10/1	51 mm	55 mm

## Photometric data



Light Distribution Diagram - 8.5MRX16/F25 3000 DIM AF 10/1

Spectral Power Distribution Colour - 8.5MRX16/F25 3000 DIM AF 10/1

