



MASTER LEDspot LV

MAS LEDspotLV D 8-50W 840 MR16 24D

Delivering an intense accent beam, the MASTER LEDspot LV is an ideal retrofit solution for spot-lighting. The MASTER LEDspot LV is designed to replace halogen or incandescent spots. It achieves natural colours, enables cosy and comfortable ambience for residential and hospitality usage, and emphasises the beauty of merchandise in retail. A new smaller housing provides perfect fitting with the majority of luminaires on the market with a MR16 GU 5.3 holder. It not only employs Philips's patented solution to guarantee the broadest possible compatibility with standard 12 V halogen electronic transformers, it also delivers high beam intensity which is equivalent to halogen MR16 spots. The dimming function enables users to create the desired atmosphere and it works with broad selection of dimmers. Its high SDCM ensures stricter colour consistency, that is maintained over product life. The MASTER LEDspot LV delivers huge energy savings and minimises maintenance costs without any compromise on light quality and lifetime, enabling residential and business owners to achieve a return on their investment within a short time period.

Product data

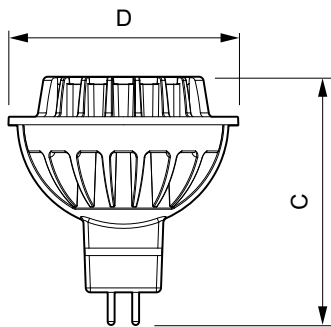
General Information		Operating and Electrical	
Cap base	GU5.3 [GU5.3]	Rated beam angle	24 °
Main application	Industrial	Correlated colour temperature (nom.)	4000 K
Nominal lifetime (nom.)	40000 h	Luminous efficacy (rated) (nom.)	84 lm/W
Switching cycle	50000X	Colour consistency	<6
		Color rendering index (nom.)	80
		LLMF at end of nominal lifetime (nom.)	70 %
		Luminous Flux in 90° Cone (Rated)	670 lm
Light Technical			
Colour code	841 [CCT of 4100K (841)]	Power (Rated) (Nom)	8 W
Beam Angle (Nom)	24 °	Lamp current (nom.)	900 mA
Luminous flux (nom.)	710 lm	Starting time (nom.)	0.5 s
Luminous flux (rated) (nom.)	710 lm	Warm-up time to 60% light (nom.)	0.6 s
Luminous intensity (nom.)	3350 cd		
Colour designation	White (WH)		

MASTER LEDspot LV

Power factor (nom.)	0.7
Voltage (Nom)	12 V
Temperature	
T-Case maximum (nom.)	105 °C
Controls and Dimming	
Dimmable	Yes
Approval and Application	
Energy efficiency label (EEL)	A+
Energy-saving product	Yes
Suitable for accent lighting	Yes

Energy Consumption kWh/1000 h	9 kWh
Product Data	
Full product code	871869657633500
Order product name	MAS LEDspotLV D 8-50W 840 MR16 24D
EAN/UPC – product	8718696576335
Order code	57633500
Numerator – quantity per pack	1
Numerator – packs per outer box	10
Material no. (12NC)	929001150002
Net weight (piece)	0.050 kg

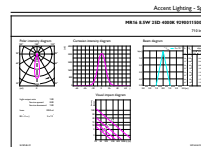
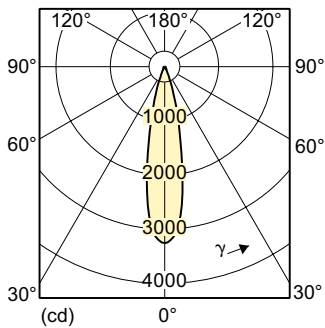
Dimensional drawing



MR16 8W-50W 24D 4000K Gu5.3 D Dark Gray

Product	D	C
MAS LEDspotLV D 8-50W 840 MR16 24D	51 mm	55 mm

Photometric data

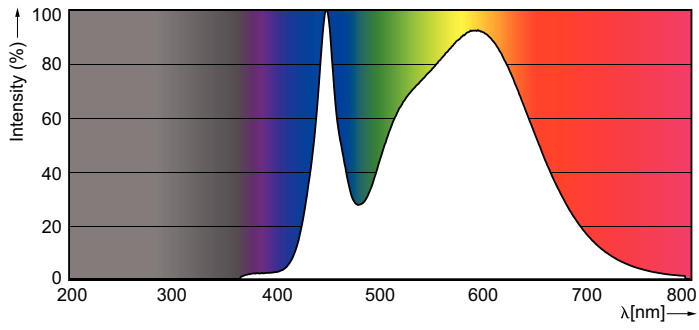


Photometric data table and diagram.

LEDlamps, MR16 8W-50W 24D 4000K GU5.3

MASTER LEDspot LV

Photometric data



LEDlamps, MR16 8W-50W 4000K GU5.3

