



MASTER LEDspot LV

MAS LEDspotLV D 8.0-50W 827 MR16 36D

Delivering an intense accent beam, the MASTER LEDspot LV is an ideal retrofit solution for spot-lighting. The MASTER LEDspot LV is designed to replace halogen or incandescent spots. It achieves natural colours, enables cosy and comfortable ambience for residential and hospitality usage, and emphasises the beauty of merchandise in retail. A new smaller housing provides perfect fitting with the majority of luminaires on the market with a MR16 GU 5.3 holder. It not only employs Philips's patented solution to guarantee the broadest possible compatibility with standard 12 V halogen electronic transformers, it also delivers high beam intensity which is equivalent to halogen MR16 spots. The dimming function enables users to create the desired atmosphere and it works with broad selection of dimmers. Its high SDCM ensures stricter colour consistency, that is maintained over product life. The MASTER LEDspot LV delivers huge energy savings and minimises maintenance costs without any compromise on light quality and lifetime, enabling residential and business owners to achieve a return on their investment within a short time period.

Product data

General Information	
Cap base	GU5.3 [GU5.3]
Nominal lifetime (nom.)	40000 h
Switching cycle	50000X
Technical type	8-50W
Light Technical	
Colour code	827 [CCT of 2,700 K]
Beam Angle (Nom)	36 °
Light distribution	36D [Medium beam]
Luminous flux (nom.)	635 lm
Luminous flux (rated) (nom.)	635 lm
Luminous intensity (nom.)	1650 cd

Colour designation	Warm White (WW)
Rated beam angle	36 °
Correlated colour temperature (nom.)	2700 K
Luminous efficacy (rated) (nom.)	78 lm/W
Colour consistency	<6
Color rendering index (nom.)	80
LLMF at end of nominal lifetime (nom.)	70 %
Luminous Flux in 90° Cone (Rated)	621 lm
Operating and Electrical	
Input frequency	50 to 60 Hz
Power (Rated) (Nom)	8 W
Lamp current (nom.)	900 mA

MASTER LEDspot LV

Wattage equivalent	50 W
Starting time (nom.)	0.5 s
Warm-up time to 60% light (nom.)	instant full light
Power factor (nom.)	0.7
Voltage (Nom)	12 V

Temperature

T-Case maximum (nom.)	105 °C
-----------------------	--------

Controls and Dimming

Dimmable	Yes
----------	-----

Approval and Application

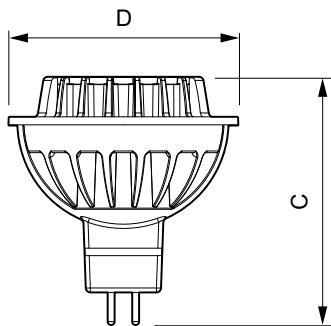
Energy efficiency label (EEL)	A+
-------------------------------	----

Suitable for accent lighting	Yes
Energy Consumption kWh/1000 h	9 kWh

Product Data

Full product code	871869651536500
Order product name	MAS LEDspotLV D 8.0-50W 827 MR16 36D
EAN/UPC – product	8718696515365
Order code	51536500
Numerator – quantity per pack	1
Numerator – packs per outer box	10
Material no. (12NC)	929001150102
Net weight (piece)	0.045 kg

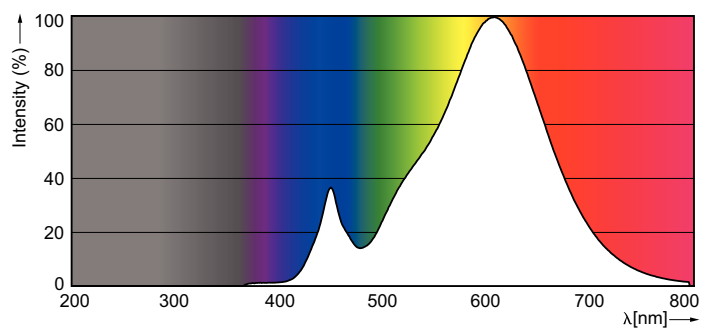
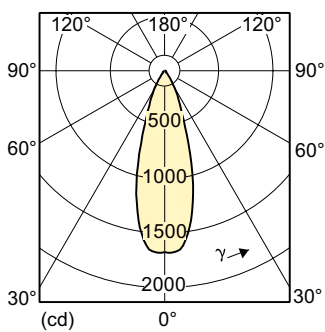
Dimensional drawing



LED D 8-50W 827 MR16 36D

Product	D	C
MAS LEDspotLV D 8.0-50W 827 MR16 36D	51 mm	55 mm

Photometric data



MASTER LEDspot LV

