



MASTER LEDbulb

MAS LEDbulb DT 9-60W B22 A60 CL

The MASTER LEDbulb range delivers a dimmable glow effect for a welcoming, warm atmosphere, making it ideal for general lighting applications in the hospitality industry. Its unique design radiates warm light in all directions, making it a true alternative to the incandescent lamp. They are particularly suitable for public areas such as lobbies, corridors, stairwells, where the light is always on. Compatible with existing fixtures with an E27 holder and designed for retrofit replacement of incandescent bulbs, MASTER LEDbulb delivers huge energy savings and minimizes maintenance cost without any compromise on light quality. They can be used together with most leading-edge dimmers, enabling further efficiencies while helping to create the desired atmosphere.

Product data

General Information	
Cap base	B22 [B22]
Red Dot Design Award winner mark	Reddot Design Award Winner 2016
Nominal lifetime (nom.)	25000 h
Switching cycle	50000X
Technical type	8.5-60W
Light Technical	
Colour code	822-827 [tunable warm white]
Luminous flux (nom.)	806 lm
Luminous flux (rated) (nom.)	806 lm
Colour designation	Warm White (WW)
Correlated colour temperature (nom.)	2200-2700 K
Luminous efficacy (rated) (nom.)	94.00 lm/W
Colour consistency	<6
Color rendering index (nom.)	80

LLMF at end of nominal lifetime (nom.)	70 %
Operating and Electrical	
Input frequency	50 to 60 Hz
Power (Rated) (Nom)	8.5 W
Lamp current (nom.)	45 mA
Starting time (nom.)	0.5 s
Warm-up time to 60% light (nom.)	0.5 s
Power factor (nom.)	0.7
Voltage (Nom)	220-240 V
Temperature	
T-Case maximum (nom.)	110 °C
Controls and Dimming	
Dimmable	Yes

MASTER LEDbulb

Mechanical and Housing

Bulb finish Clear (CL)

Approval and Application

Energy efficiency label (EEL) A+
 Energy-saving product Yes
 Suitable for accent lighting No
 Energy Consumption kWh/1000 h 9 kWh

Product Data

Full product code 871869648134900

Order product name MAS LEDbulb DT 9-60W B22 A60 CL

EAN/UPC – product 8718696481349

Order code 48134900

Numerator – quantity per pack 1

Numerator – packs per outer box 10

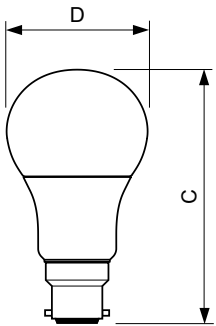
Material no. (12NC) 929001150702

Net weight (piece) 0.076 kg

Warnings and Safety

- Operating temperature range is between -20° C and 45° C ambient
- Only to apply in dry or damp locations and most of open fixtures with lamp-holders that offer sufficient space (10 mm free air space)
- Not intended for use with emergency light fixtures or exit lights

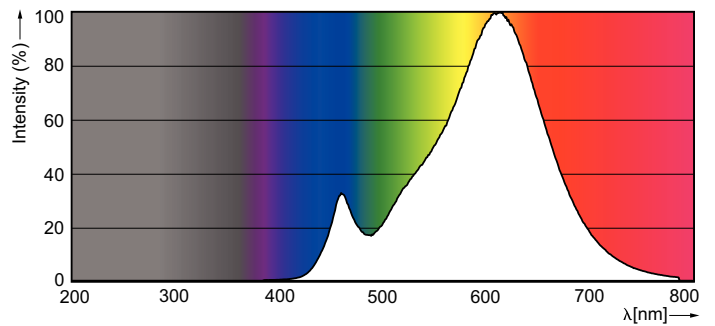
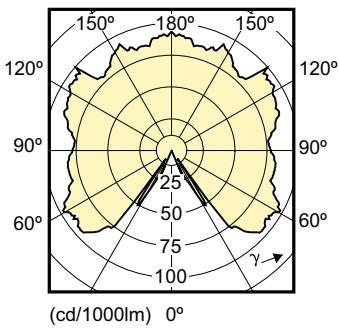
Dimensional drawing



LED DT 9-60W B22 A60 CL

Product	D	C
MAS LEDbulb DT 9-60W B22 A60 CL	60 mm	110 mm

Photometric data



MASTER LEDbulb

