



MASTER LEDbulbs

MAS LEDbulb DT 8.5-60W B22 A60 CL

MASTER LEDbulb range delivers a dimmable glow effect for a welcoming, warm atmosphere, making it ideal for general lighting applications in the hospitality industry. Its unique design radiates warm light in all directions, making it a true alternative to the incandescent lamp. It is particularly suitable for public areas such as lobbies, corridors, stairwells, where the light is always on. Compatible with existing fixtures with an E27 or a B22 holder and designed for retrofit replacement of incandescent bulbs, MASTER LEDbulb delivers huge energy savings and minimises maintenance cost without any compromise on light quality.

Product data

| General Information | |
|--|---------------------------------|
| Cap base | B22 [B22] |
| Red Dot Design Award winner mark | Reddot Design Award Winner 2016 |
| Nominal lifetime (nom.) | 25000 h |
| Switching cycle | 50000X |
| Technical type | 8.5-60W |
| Light Technical | |
| Colour Code | 822-827 [tunable warm white] |
| Lamp Luminous Flux 25°C EL (Nom) | 806 lm |
| Lamp Luminous Flux (Nom) | 806 lm |
| Colour Designation | Warm white (WW) |
| Colour Temperature, horizontal (Nom) | 2200-2700 K |
| Lamp Luminous Efficacy EM (Nom) | 94 lm/W |
| Colour consistency | <6 |
| Colour Rendering Index, horiz (Nom) | 80 |
| LLMF at end of nominal lifetime (nom.) | 70 % |

| Operating and Electrical | |
|----------------------------------|-------------|
| Input frequency | 50 to 60 Hz |
| Technical Lamp Power (Nom) | 8.5 W |
| Lamp current (nom.) | 45 mA |
| Wattage equivalent | 60 W |
| Starting time (nom.) | 0.5 s |
| Warm-up time to 60% light (nom.) | 0.5 s |
| Power factor (nom.) | 0.7 |
| Voltage (nom.) | 220-240 V |
| Temperature | |
| T-Case maximum (nom.) | 110 °C |
| Controls and Dimming | |
| Dimmable | Yes |
| Mechanical and Housing | |
| Bulb finish | Clear |

MASTER LEDbulbs

Approval and Application

| | |
|-------------------------------|-------|
| Energy-saving product | Yes |
| Suitable for accent lighting | No |
| Energy efficiency label (EEL) | A+ |
| Energy Consumption kWh/1000 h | 9 kWh |

Product Data

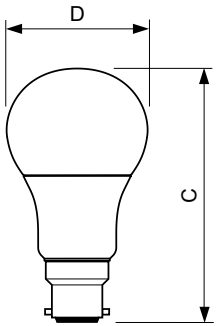
| | |
|--------------------|-----------------------------------|
| Full product code | 871869648134900 |
| Order product name | MAS LEDbulb DT 8.5-60W B22 A60 CL |

| | |
|---------------------------------|---------------|
| EAN/UPC – product | 8718696481349 |
| Order code | 929001150732 |
| Numerator – quantity per pack | 1 |
| Numerator – packs per outer box | 10 |
| Material no. (12NC) | 929001150732 |
| Net weight (piece) | 0.076 kg |

Warnings and Safety

- Operating temperature range is between -20° C and 45° C ambient
- Only to apply in dry or damp locations and most of open fixtures with lamp-holders that offer sufficient space (10 mm free air space)
- Not intended for use with emergency light fixtures or exit lights

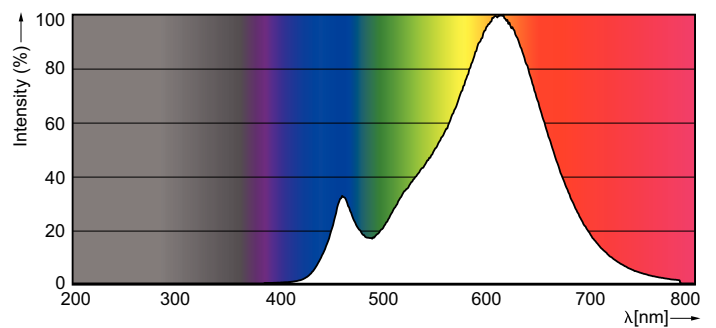
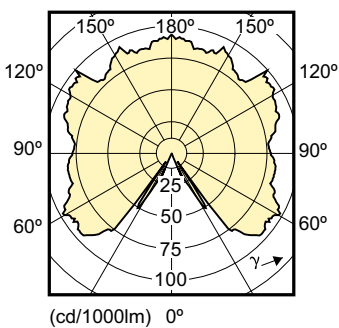
Dimensional drawing



LED DT 9-60W B22 A60 CL

| Product | D | C |
|-----------------------------------|-------|--------|
| MAS LEDbulb DT 8.5-60W B22 A60 CL | 60 mm | 110 mm |

Photometric data



MASTER LEDbulbs

