



MASTER LEDbulb

MASTER LEDbulb DT 8.5-60W E27 A60 CL

MASTER LEDbulb range delivers a dimmable glow effect for a welcoming, warm atmosphere, making it ideal for general lighting applications in the hospitality industry. Its unique design radiates warm light in all directions, making it a true alternative to the incandescent lamp. It is particularly suitable for public areas such as lobbies, corridors, stairwells, where the light is always on. Compatible with existing fixtures with an E27 or a B22 holder and designed for retrofit replacement of incandescent bulbs, MASTER LEDbulb delivers huge energy savings and minimises maintenance cost without any compromise on light quality.

Product data

General Information	
Cap base	E27 [E27]
Red Dot Design Award winner mark	Reddot Design Award Winner 2016
Nominal lifetime (nom.)	25000 h
Switching cycle	50000X
Technical type	8.5-60W
Light Technical	
Colour Code	822-827 [tunable warm white]
Lamp Luminous Flux 25°C EL (Nom)	806 lm
Lamp Luminous Flux (Nom)	806 lm
Colour Designation	Warm white (WW)
Colour Temperature, horizontal (Nom)	2200-2700 K
Lamp Luminous Efficacy EM (Nom)	94 lm/W
Colour consistency	<6
Colour Rendering Index, horiz (Nom)	80
LLMF at end of nominal lifetime (nom.)	70 %

Operating and Electrical	
Input frequency	50 to 60 Hz
Power (Rated) (Nom)	8.5 W
Lamp current (nom.)	45 mA
Wattage equivalent	60 W
Starting time (nom.)	0.5 s
Warm-up time to 60% light (nom.)	0.5 s
Power factor (nom.)	0.7
Voltage (Nom)	220-240 V
Temperature	
T-Case maximum (nom.)	110 °C
Controls and Dimming	
Dimmable	Yes
Mechanical and Housing	
Bulb finish	Clear

MASTER LEDbulb

Approval and Application

Energy efficiency label (EEL)	A+
Energy-saving product	Yes
Suitable for accent lighting	No
Energy Consumption kWh/1000 h	9 kWh

Product Data

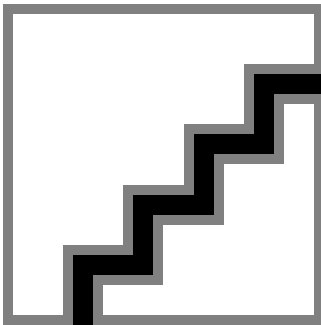
Full product code	871869648132500
Order product name	MASTER LEDbulb DT 8.5-60W E27 A60 CL

EAN/UPC – product	8718696481325
Order code	48132500
Numerator – quantity per pack	1
Numerator – packs per outer box	10
Material no. (12NC)	929001150932
Net weight (piece)	0.076 kg

Warnings and Safety

- Operating temperature range is between -20° C and 45° C ambient
- Only to apply in dry or damp locations and most of open fixtures with lamp-holders that offer sufficient space (10 mm free air space)
- Not intended for use with emergency light fixtures or exit lights

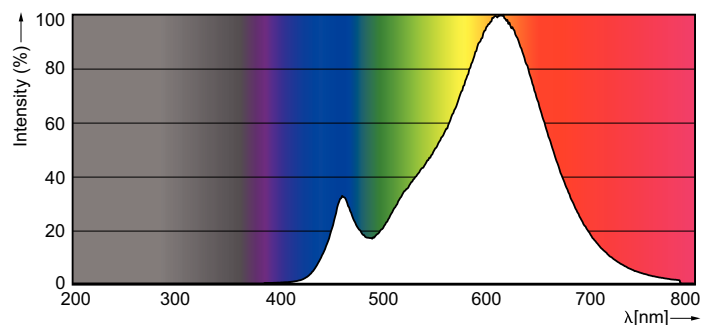
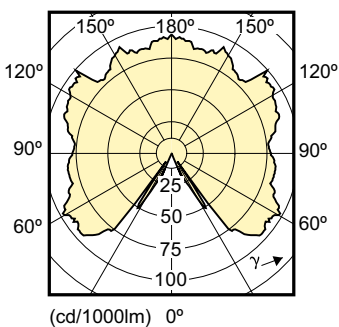
Dimensional drawing



LED DT 9-60W E27 A60 CL

Product	D	C
MASTER LEDbulb DT 8.5-60W E27 A60 CL	60 mm	110 mm

Photometric data



MASTER LEDbulb

