



PL-L

16.5PL-LED/24-3000 IF 10/1

Philips InstantFit LED lamps make the transition to LED from CFL lamps as simple as replacing a lamp. With a wide array of color temperatures, the InstantFit LED lamps can quickly and effectively replace compact fluorescent lamps.

Product data

General Information		Power Factor (Nom)		0.9
Cap-Base	2G11 [2G11]	Voltage (Nom)		120-277 V
Main Application	Industrial	Temperature		
Nominal Lifetime (Nom)	40000 h	T-Ambient (Max)	45 °C	
Switching Cycle	50000X	T-Ambient (Min)	-20 °C	
B50L70	40000 h	T-Storage (Max)	65 °C	
Light Technical		T-Storage (Min)	-40 °C	
Color Code	830 [CCT of 3000K]	T-Case Maximum (Nom)	65 °C	
Beam Angle (Nom)	160 °	Controls and Dimming		
Luminous Flux (Nom)	1900 lm	Dimmable	No	
Luminous Flux (Rated) (Nom)	1900 lm	Mechanical and Housing		
Rated Beam Angle	160 °	Product Length	600 mm	
Correlated Color Temperature (Nom)	3000 K	Approval and Application		
Color Consistency	<6	Energy Efficiency Label (EEL)	A+	
Color Rendering Index (Nom)	82	Energy Saving Product	Yes	
LLMF At End Of Nominal Lifetime (Nom)	70 %	Suitable For Accent Lighting	No	
Operating and Electrical		Approval Marks	CE marking UL certificate RoHS compliance KEMA Keur certificate	
Input Frequency	50 to 60 Hz	Energy Consumption kWh/1000 h	21 kWh	
Power (Rated) (Nom)	16.5 W			
Lamp Current (Nom)	120 mA			
Starting Time (Nom)	0.5 s			
Warm Up Time to 60% Light (Nom)	instant full light s			

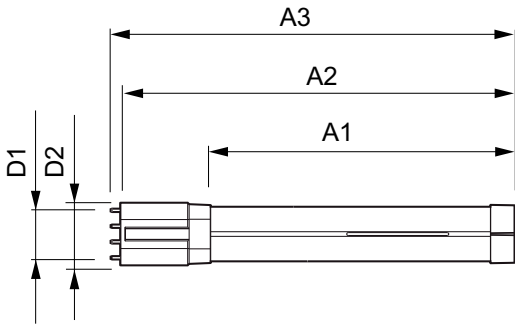
PL-L

Product Data

Order product name	16.5PL-LED/24-3000 IF 10/1
EAN/UPC - Product	046677456634
Order code	456632
Numerator - Quantity Per Pack	1

Numerator - Packs per outer box	10
Material Nr. (12NC)	929001151304
Net Weight (Piece)	0.170 kg

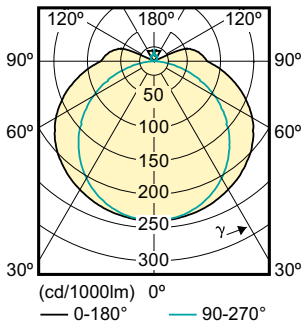
Dimensional drawing



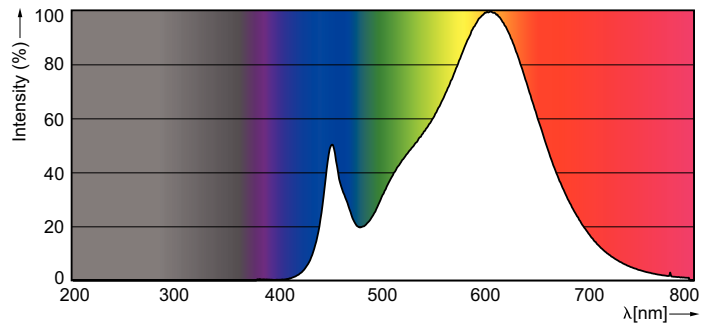
LEDtube 500mm 16.5W/830

Product	D1	D2	A1	A2	A3
16.5PL-LED/24-3000 IF 10/1	33 mm	43.6 mm	564 mm	570.6 mm	570.6 mm

Photometric data



LEDtube 500mm 16.5 W 2G11



LEDtube 500mm 16.5W/830 2G11

