



MASTER LEDspot LV

MASTER LED 7-50W 927 MR16 15D Dim

Delivering an intense accent beam, the MASTER LEDspot LV is an ideal retrofit solution for spot-lighting. The MASTER LEDspot LV is designed to replace halogen or incandescent spots. It achieves natural colours, enables cosy and comfortable ambience for residential and hospitality usage, and emphasises the beauty of merchandise in retail. A new smaller housing provides perfect fitting with the majority of luminaires on the market with a MR16 GU 5.3 holder. It not only employs Philips's patented solution to guarantee the broadest possible compatibility with standard 12 V halogen electronic transformers, it also delivers high beam intensity which is equivalent to halogen MR16 spots. The dimming function enables users to create the desired atmosphere and it works with broad selection of dimmers. Its high SDCM ensures stricter colour consistency, that is maintained over product life. The MASTER LEDspot LV delivers huge energy savings and minimises maintenance costs without any compromise on light quality and lifetime, enabling residential and business owners to achieve a return on their investment within a short time period.

Product data

General Information		Colour designation	
Cap base	GU5.3 [GU5.3]	Colour designation	Warm White (WW)
Nominal lifetime (nom.)	40000 h	Rated beam angle	15 °
Switching cycle	50000X	Correlated colour temperature (nom.)	2700 K
Technical type	7-50W	Luminous efficacy (rated) (nom.)	57.14 lm/W
		Colour consistency	<6
		Color rendering index (nom.)	90
		LLMF at end of nominal lifetime (nom.)	70 %
		Luminous Flux in 90° Cone (Rated)	400 lm
Light Technical		Operating and Electrical	
Colour code	927	Power (Rated) (Nom)	7 W
Beam Angle (Nom)	15 °	Lamp current (nom.)	720 mA
Light distribution	15D [Narrow beam]	Wattage equivalent	50 W
Luminous flux (nom.)	400 lm		
Luminous flux (rated) (nom.)	400 lm		
Luminous intensity (nom.)	2800 cd		

MASTER LEDspot LV

Starting time (nom.)	0.5 s
Warm-up time to 60% light (nom.)	1 s
Power factor (nom.)	0.7
Voltage (Nom)	12 V

Temperature

T-Case maximum (nom.)	92 °C
-----------------------	-------

Controls and Dimming

Dimmable	Yes
----------	-----

Approval and Application

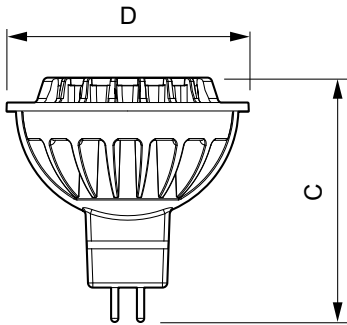
Energy efficiency label (EEL)	A
Energy-saving product	Yes

Suitable for accent lighting	Yes
Energy Consumption kWh/1000 h	8 kWh

Product Data

Full product code	871869667370600
Order product name	MASTER LED 7-50W 927 MR16 15D Dim
EAN/UPC – product	8718696673706
Order code	67370600
Numerator – quantity per pack	1
Numerator – packs per outer box	10
Material no. (12NC)	929001152538
Net weight (piece)	0.045 kg

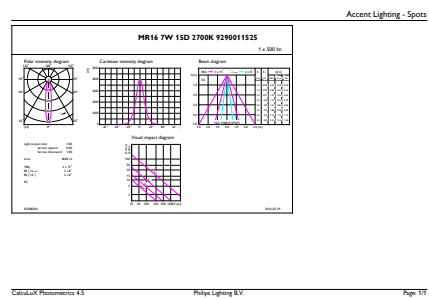
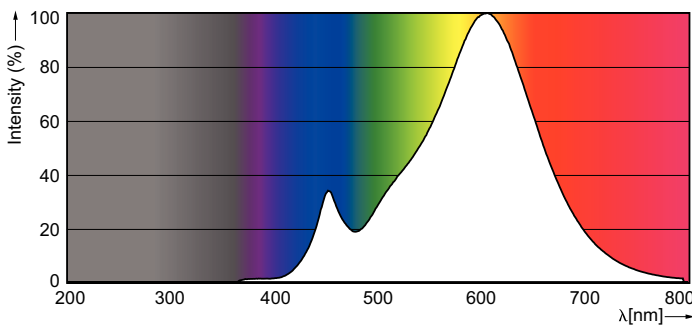
Dimensional drawing



MR16 12V 7W-35W 380lm 15D 2700K Gu5.3 D

Product	D	C
MASTER LED 7-50W 927 MR16 15D Dim	51 mm	51 mm

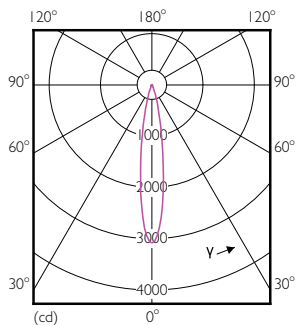
Photometric data



LEDspot 7-35W MR16 GU5.3 2700K 500lm 15D

MASTER LEDspot LV

Photometric data



LEDspot Master 50W G5.3 MR16 927 15D DIM

